

LANDSCAPE ARCHITECTURE
PLANNING
URBAN DESIGN
2722 W. BITTERS RD, STE #114
SAN ANTONIO, TX 78248
P: 210-908-6736
WWW.GOOPENAIR.COM

PROJECT:
LEGACY AT LAKE
DUNLAP

OWNER:
HEARTWOOD DEVELOPMENT

LOCATION:
NEW BRAUNFELS, TEXAS

PROJECT #: HWD20211

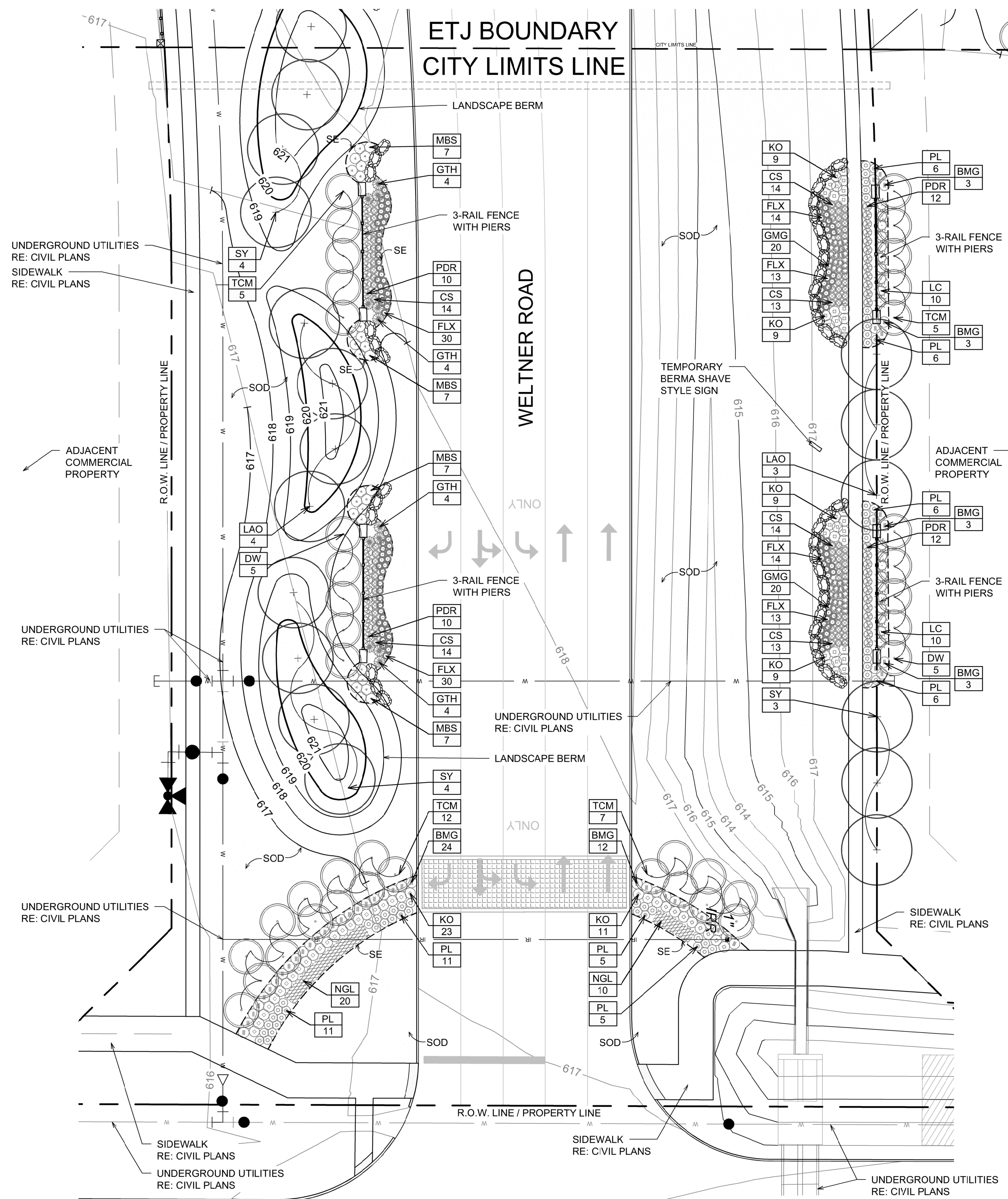
DESIGNED BY: RR

DRAWN BY: TB

REVIEWED BY: RR

ISSUED: 22 MAY 2023

REV 02 JUNE 2023

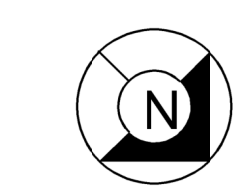


PLANT LIST

TREES	
DC	CEDRUS DEODARA DEODAR CEDAR
RO	QUERCUS TEXANA TEXAS RED OAK
SY	PLATANUS MEXICANA MEXICAN SYCAMORE
LAO	QUERCUS LACEYI LACEY OAK
DW	CHILOPSIS LINEARIS DESERT WILLOW
TCM	LAGERSTROEMIA INDICA 'TUSCARORA' TUSCARORA CRAPE MYRTLE
SHRUBS	
POB	CAESALPINIA PULCHERRIMA PRIDE OF BARBADOS
KO	ROSA X 'KNOCKOUT' KNOCKOUT ROSE
MBS	SALVIA LEUCANTHA MEXICAN BUSH SAGE
PL	PLUMBAGO AURICULATA PLUMBAGO
GTH	GALPHIMIA GLAUCA GOLDEN SHOWERS THRYALLIS
PDR	ROSA 'MEJOCOS' PINK DRIFT ROSE
CS	SALVIA GREGGII CHERRY SAGE
FLX	DIANELLA TASMANICA 'VARIEGATED' VARIEGATED FLAX LILY
GRASSES	
BMG	MUHLENBERGIA LINDHEIMERI BIG MUHLY GRASS
GMG	MUHLENBERGIA CAPILLARIS GULF MUHLY GRASS
GROUND COVER	
NGL	LANTANA X HYBRID 'NEW GOLD' NEW GOLD LANTANA
ART	ARTEMISIA X 'POWIS CASTLE' POWIS CASTLE ARTEMISIA
SOD	
	CYNODON SPECIES BERMUDA GRASS

LEGEND

	LARGE NURSERY GROWN CONTAINERIZED TREES
	UNDERSTORY NURSERY GROWN CONTAINERIZED TREES
	SHRUBS/GROUND COVER
	TIFF 419 BERMUDA SOLID SOD
	BERMUDA HYDROMULCH
	2"-4" COMMANCHE BLEND RIVER ROCK FROM KELLER MATERIALS, 4" DEPTH SET ON PINNED GEO-TEXTILE FABRIC
	3/16" STEEL EDGING, ONLY WHERE INDICATED WITH



SCALE 1" = 20' - 0"
10 0 20 40

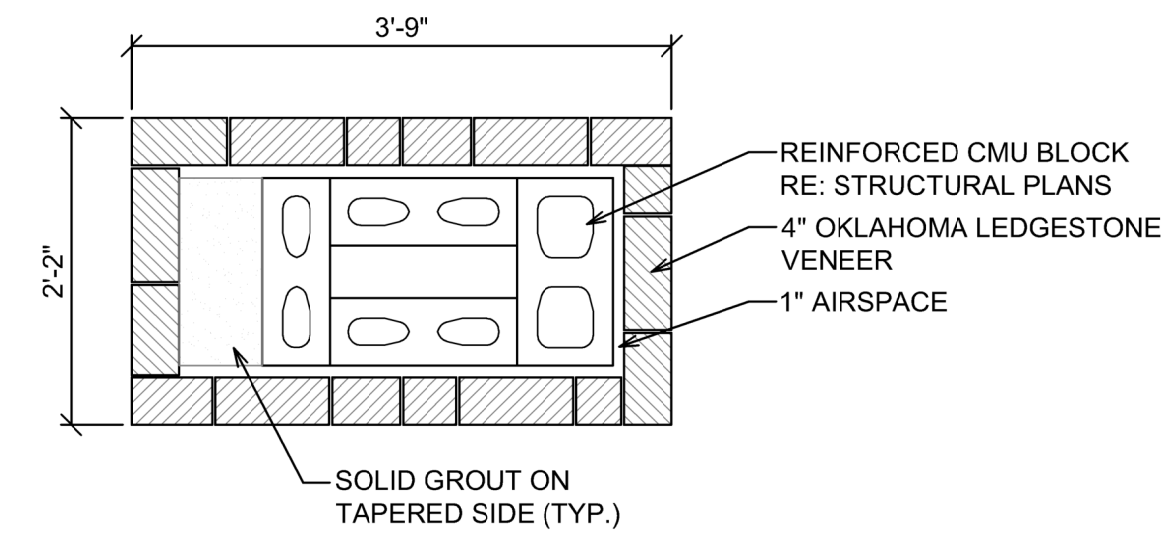
HWY 46

SHEET TITLE:
RIGHT-OF-WAY
IMPROVMENTS
EXHIBIT -
PLANTING AND
HARDSCAPE

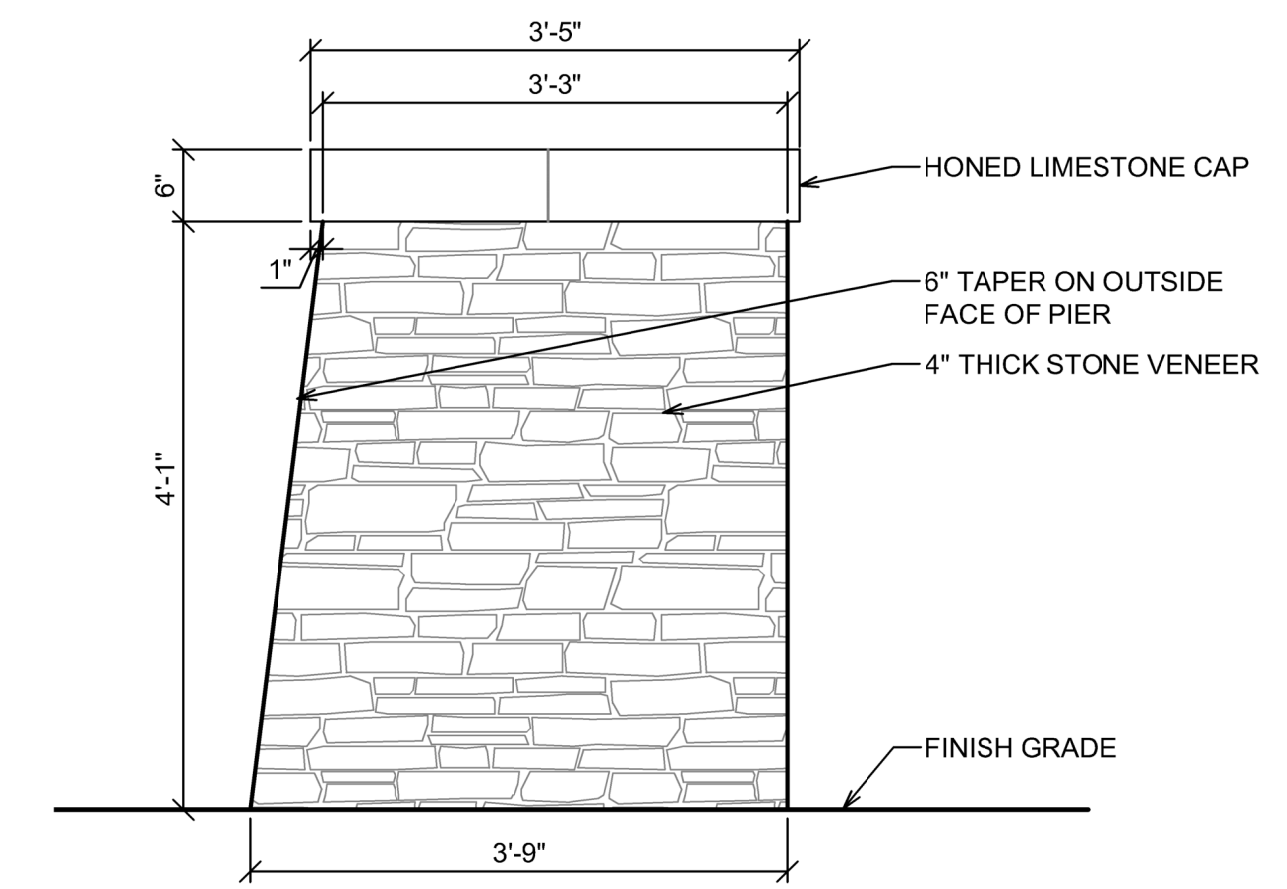
SHEET NUMBER:
EXH 1.00



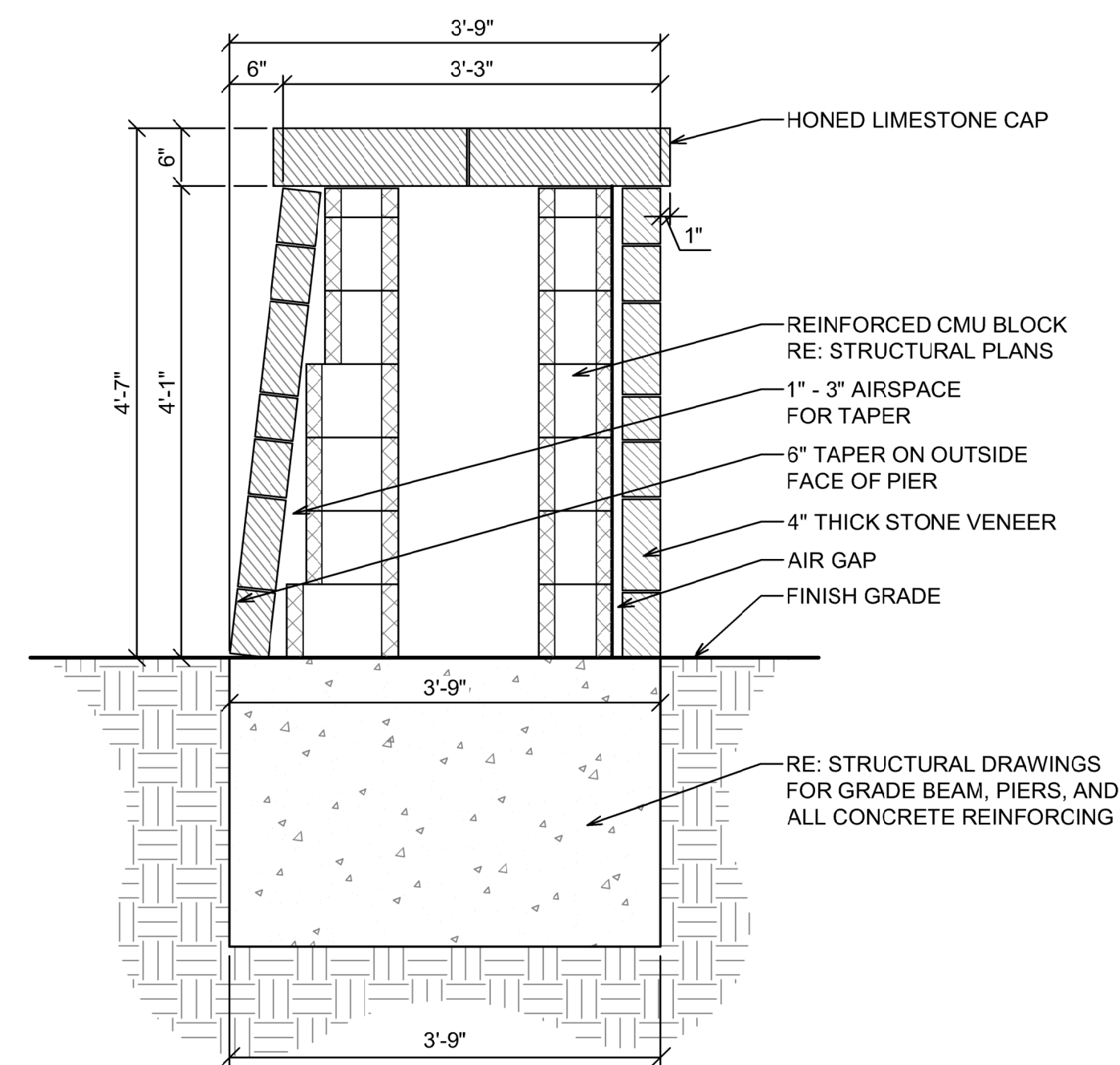
6 TEMPORARY "BURMA SHAVE" STYLE SIGN
NOT TO SCALE SECTION



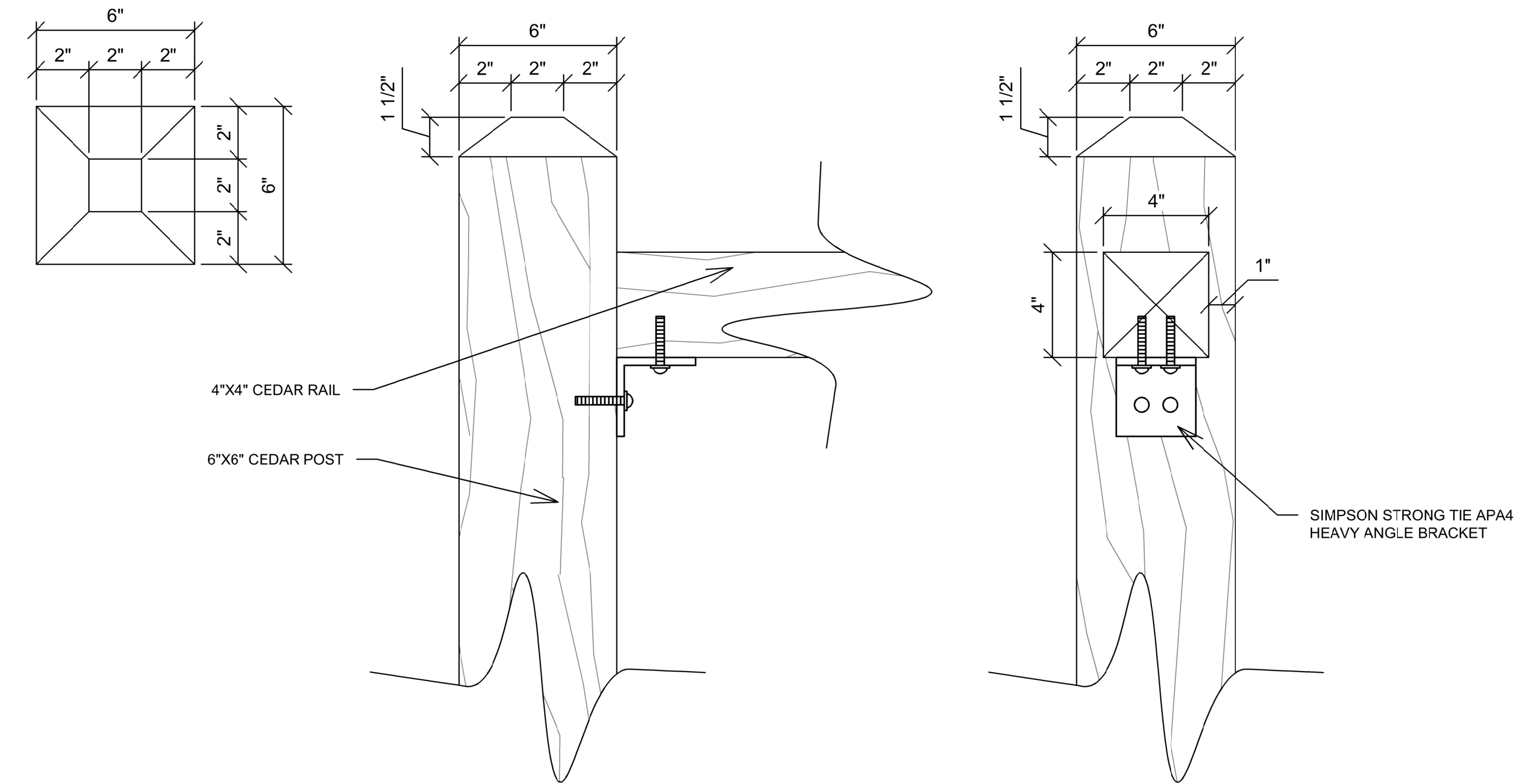
5 3-RAIL FENCE PIERS - PLAN VIEW
SCALE: 3"=1'-0" SECTION



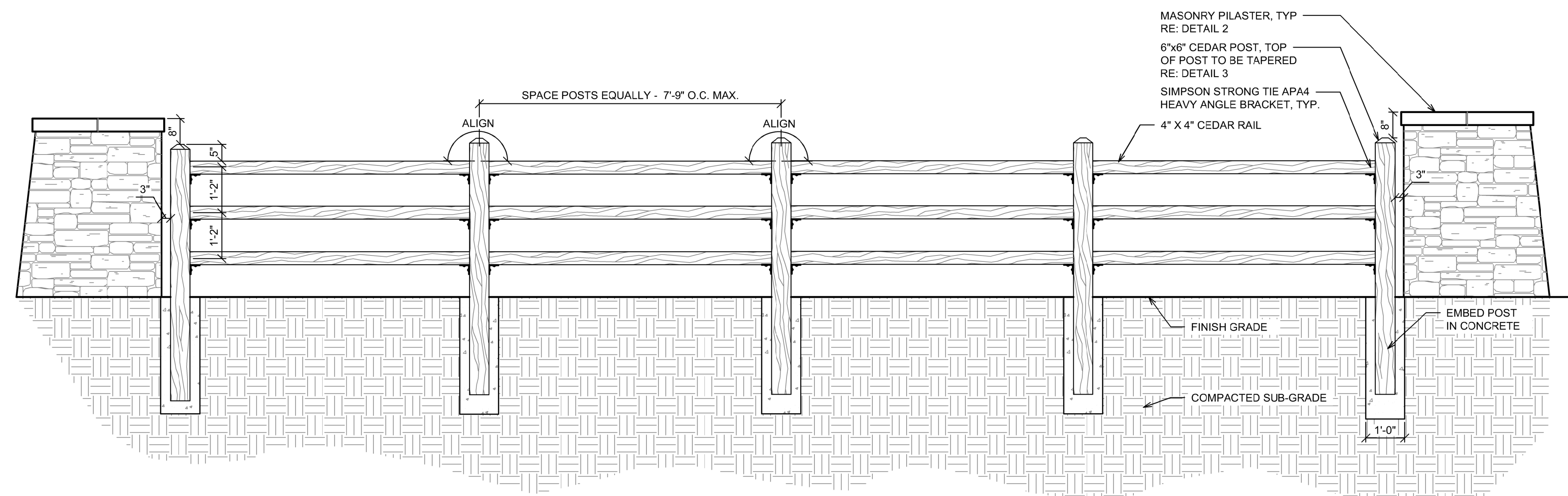
4 3-RAIL FENCE PIERS - FRONT VIEW
SCALE: 3"=1'-0" ELEVATION



3 3-RAIL FENCE PIERS - FRONT VIEW
SCALE: 3"=1'-0" SECTION



2 3-RAIL FENCE POST DETAILS
SCALE: 3"=1'-0" ELEVATION



1 3-RAIL FENCE WITH PIERS
SCALE: 1/2"=1'-0" ELEVATION



LANDSCAPE ARCHITECTURE
PLANNING
URBAN DESIGN
2722 W. BITTERS RD, STE #114
SAN ANTONIO, TX 78248
P: 210-908-6736
WWW.GOPENAIR.COM

PROJECT:
LEGACY AT LAKE
DUNLAP

OWNER:
HEARTWOOD DEVELOPMENT

LOCATION:
NEW BRAUNFELS, TEXAS

PROJECT #: HWD20211
DESIGNED BY: RR
DRAWN BY: TB
REVIEWED BY: RR

ISSUED: 22 MAY 2023
REV 02 JUNE 2023

SHEET TITLE:
3-RAIL FENCE
AND PIERS
DETAILS

SHEET NUMBER:
EXH 1.01