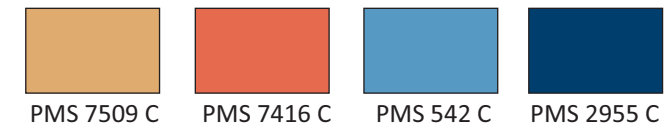


HORIZONTAL SQ. TUBE STL. TRUSS STRUCTURE BEHIND LETTERS TO BE DESIGNED AND ENGINEERED PER STRUCTURAL ENGINEERING. DESIGN INTENT ONLY REPRESENTED HERE.

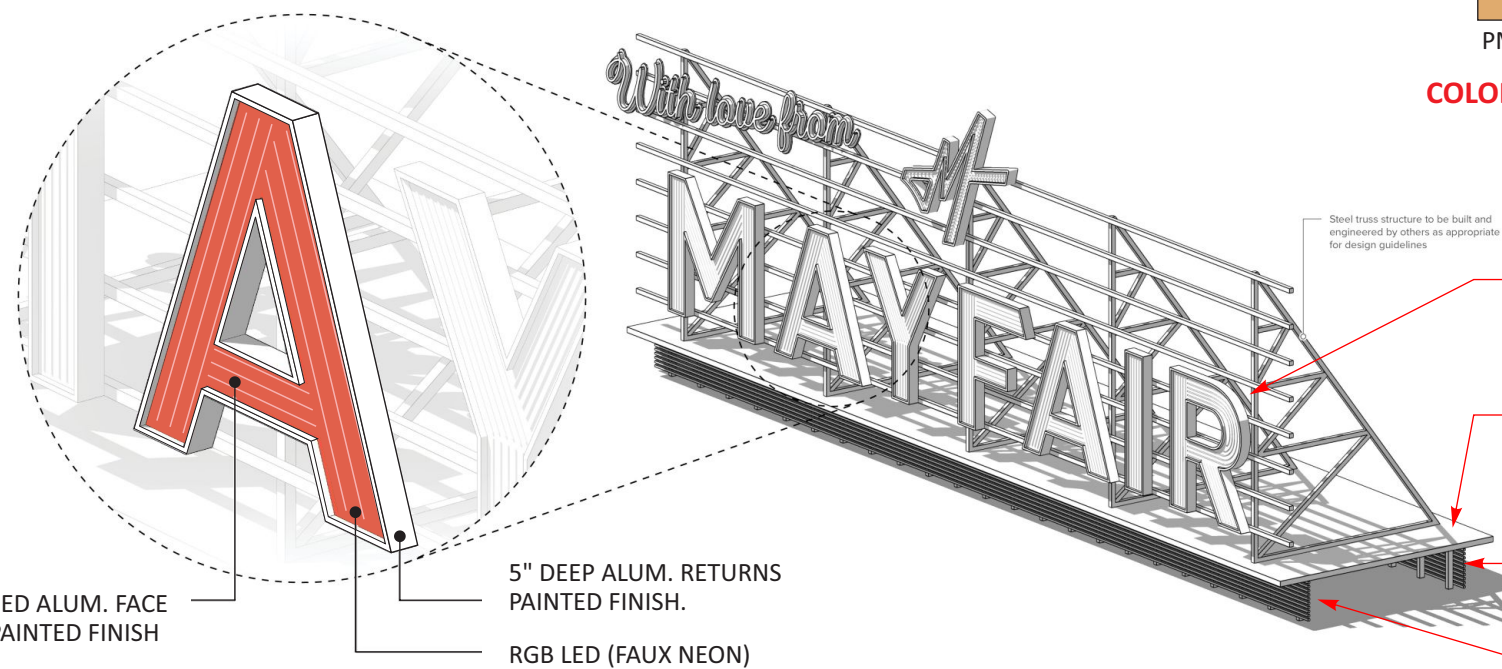
BRAND PAINTED ALUM. LETTERS AND BRAND MARK WITH EXPOSED RGB FAUX NEON INFILL AS NEEDED; COLORED AREA RECESSED 4" FROM PAINTED FRAME

**CONCEPTUAL PLACEMAKING IDENTITY**

SCALE: 3/32" = 1' - 0"



**COLORS TO BE VERIFIED OR CONFIRMED WITH CUSTOMER**



**FINAL LETTER SIGNAGE REDUCED 25%**

**PLATFORM (COVER) HAS BEEN REMOVED FROM SCOPE OF WORK**

**FABRICATED SCREEN WALL TO REMAIN**

**FABRICATED SCREEN WALL TO REMAIN**

**3-D CONCEPTUAL PLACEMAKING IDENTITY**

NOT TO SCALE

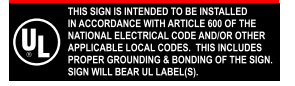
<b>Design #</b>	0633408Ar12
<b>Sheet</b>	1 of 13
<b>Client</b>	MAYFAIR
<b>Address</b>	lh35 between Watson Ln., New Braunfels, TX
<b>Account Rep.</b>	STAN MACRUM MELANIE DeLEON
<b>Designer</b>	TQ
<b>Date</b>	8/15/22
<b>Approval / Date</b>	
<b>Client</b>	
<b>Sales</b>	
<b>Estimating</b>	
<b>Art</b>	
<b>Engineering</b>	
<b>Landlord</b>	
<b>Revision/Date</b>	
<small>R108-18-22BR: add SIB Eng. calls to design. R208-07-22PA: Added more infg. details per phone conference with SIB. R323-08-22PA: Revised Letter Signs on frame structure with 2 Options - Option 1 - 5" deep open channel letters, redesigned with 3 rows of Contour LEDs; Option 2 - FOC Alum. with 2" alum. angle perimeter at back for apply; external lighting by customer. Vasec Tower. Calculated &amp; added center steel support &amp; Pier. recalculated all piers as 48" dia. x 11' high. R311-12-22PA: Revised "M" Logo to read "MAYFAIR" 72" dia around tower with 2 tubes of Contour LEDs. R401-12-22PA: Revised "M" Water Tower to have 2 Options: Opt 1 - 36" Base Center Pipe Support x 5' dia. x 20' deep Pier with (4) 6" x 6" sq. steel supports; Opt 2 - 36" Base Center Pipe Support x 5' dia. x 20' deep Pier with (4) 10" x 10" sq. steel supports. Showed artist's graphic at both options. R503-10-22PA: Removed Opt. 1 &amp; 2 from rendering on pg. 16; B - Opt. 1. Changed all letters to red, not multi-colored; B Opt. 2. Removed Metal Graphic, changed all letters to red, not multi-colored. R602-02-23PA: Removed Option 2 - Non-H letters for sign "A"; Reduced "A" letter signage 25%, keeping same height framework, reducing number of support piers from 18 to 14; updated rendering on page 1 showing correct number rows of contour led tubing; updated site plan showing all signage approx. locations. (Note: Signs C1-C5 are on separate set R625-04-23). R710-11-22PA: Broke out Mockup plan of Letter "M". R110-12-22PA: updated a site plan from customer. R811-11-22PA: Updated site plan and showed 2 optional locations for sign A; included Mockup targeting photos with approximate sign placement; photo survey studies; Removed sign B from package temporarily. R811-12-22PA: Updated photo / renderings at sheets 5 &amp; 7.; R102-02-23PA: Deleted page 8. R102-02-23PA: Corrected Option 1 sign location on Option-1 Photo-rendering Exhibits 1 &amp; 2. R101-11-22PA: Revised sign structure height by eliminating a 7' frame section and also reducing the lower platform accordingly; R104-02-23PA: Added a square footage study showing each letter height x width and percentage of sign that is actual letter portion of sign. R111-12-22PA: Kept Option 1 placement, detailed option 2; Changed The Faux Neon at "MAYFAIR" to be RGB Faux Neon. R122-01-24PA: Removed Sign Square footage calculations showing "Live Area"</small>	

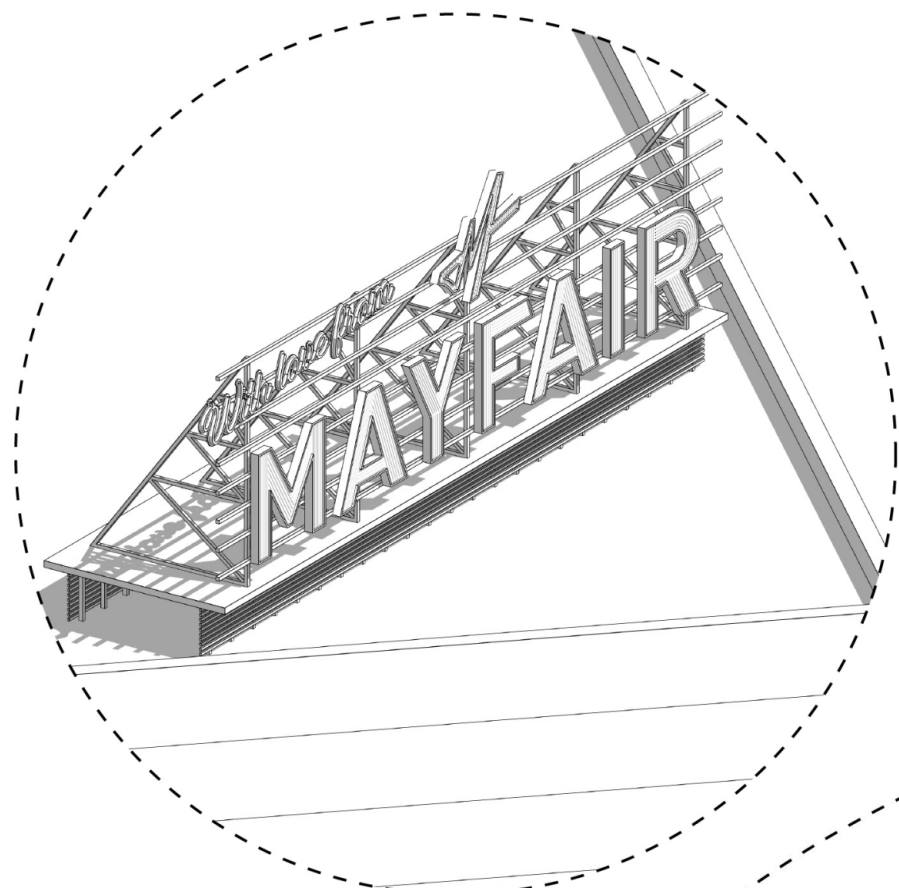
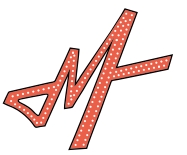


<b>National Headquarters</b>	14201 Sovereign Road #101 Fort Worth, TX 76155 (214) 902-2000 Fax (214) 902-2044
<b>San Antonio</b>	17319 San Pedro Avenue Suite 200 San Antonio, TX 78232 (210) 349-3804 Fax (210) 349-8724
<b>Northeast US</b>	2301 River Road, Suite 201 Louisville, KY 40206 (502) 897-9800 Cell (502) 554-2575
<b>Georgia</b>	111 Woodstone Place Dawsonville, GA 30534 (678) 725-8852 Fax (210) 349-8724
<b>South Texas</b>	PO BOX 125 206 Doral Drive Portland, TX 78374 (863) 563-5399 Fax (863) 643-6533

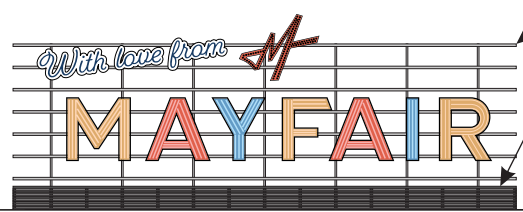
This drawing is the property of Chandler Signs, LLC. All rights to its use for reproduction are reserved by Chandler Signs, LLC.

**FINAL ELECTRICAL CONNECTION BY CUSTOMER**





**3-D CONCEPTUAL PLACEMAKING IDENTITY** NOT TO SCALE



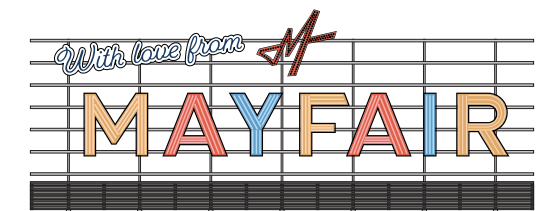
Once service road buildings are completed, neon sign is meant to be removed from site and placed on architecture near the I-35 corridor  
**Please Note: architecture shown here is for diagram purposes only**

New base structure to be designed and engineered to raise truss structure above parapet for ground level visibility

**INSTALLED AT ROOF LEVEL**



**INSTALLED AT GROUND LEVEL**



<b>Design #</b>	<b>0633408Ar12</b>
<b>Sheet</b>	<b>2 of 13</b>
<b>Client</b>	<b>MAYFAIR</b>
<b>Address</b>	<b>Ih35 between Watson Ln., New Braunfels, TX</b>
<b>Account Rep.</b>	<b>STAN MACRUM MELANIE DeLEON</b>
<b>Designer</b>	<b>TQ</b>
<b>Date</b>	<b>8/15/22</b>
<b>Approval / Date</b>	
<b>Client</b>	
<b>Sales</b>	
<b>Estimating</b>	
<b>Art</b>	
<b>Engineering</b>	
<b>Landlord</b>	
<b>Revision/Date</b>	

- R1(08-18-22)BR: add SIB Eng. calc's to design.
- R2(09-07-22)PA: Added more infg. details per phone conference with S.M.
- R3(10-28-22)PA: Revised Letter Signs on frame structure with 2 Options - Option 1 - 5" deep open channel letters, redesigned with 3 rows of Contour LEDs; Option 2: FOC Alum. with 2" alum. angle perimeter at back for apply. external lighting by customer. Vasec Tower. Calculated & added center steel support & Pier. recalculated all piers as 48" dia. x 11' high.
- R3(11-23-22)PA: Revised "M" Logo to read "MAYFAIR" 72" odc around tower rail with 2 stories of Contour LEDs.
- R4(11-30-22)PA: Revised "M" Water Tower to have 2 Options: Opt 1 - 36" Base Center Pipe Support x 5' dia. x 20' deep Pier with (4) 6" x 6" sq. steel supports; Opt 2 - 36" Base Center Pipe Support x 5' dia. x 20' deep Pier with (4) 10" x 10" sq. steel supports. Showed artist's graphic at both options.
- R5(12-02-22)PA: Removed Opt. 1 & 2 from rendering on pg. 16; B - Opt. 1: Changed all letters to red, not multi-colored; B Opt. 2: Removed Metal Graphic, changed all letters to red, not multi-colored.
- R6(12-22-22)PA: Removed Option 2 - Non-H letters for sign "A"; Reduced "A" letter signage 25%, keeping same height framework, reducing number of support piers from 18 to 14; adjusted rendering on page 1 showing correct number rows of contour led tubing; updated site plan showing all signage approx. locations. (Note: Signs C1-C5 are on separate set R6(02/04/23)).
- R7(10/12/23)PA: Broke out Mockup plan of Letter "M".
- R7(10/12/23)PA: updated a site plan from customer.
- R8(11/15/23)PA: Updated site plan and showed 2 optional locations for sign A; included Mockup targeting photos with approximate sign placement; photo survey studies; Removed sign B from package temporarily.
- R8(11/20/23)PA: Updated photo / renderings at sheets 5 & 7.;
- R1(12/22/23)PA: Dashed page 8.
- R1(12/29/23)PA: Corrected Option 1 sign location on Option-1 Photo-rendering Exhibits 1 & 2.
- R1(11/20/23)PA: Revised sign structure height by eliminating a 7' frame section and also reducing the lower platform accordingly; (12/04/23)PA: Added a square footage study showing each letter height x width and percentage of sign that is actual letter portion of sign.
- R1(12/07/23)PA: Kept Option 1 placement, detailed option 2; Changed The Four Neons at "MAYFAIR" to be FOC Four Neons.
- R1(2/20/24)PA: Removed Sign Square footage calculations showing "Live Area"

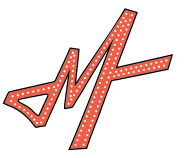


<b>National Headquarters</b>	14201 Sovereign Road #101 Fort Worth, TX 76155 (214) 902-2000 Fax (214) 902-2044
<b>San Antonio</b>	17319 San Pedro Avenue Suite 200 San Antonio, TX 78232 (210) 349-3804 Fax (210) 349-8724
<b>Northeast US</b>	2301 River Road, Suite 201 Louisville, KY 40206 (502) 897-9800 Cell (502) 554-2575
<b>Georgia</b>	111 Woodstone Place Dawsonville, GA 30534 (678) 725-8852 Fax (210) 349-8724
<b>South Texas</b>	PO BOX 125 206 Doral Drive Portland, TX 78374 (863) 563-5399 Fax (863) 643-6533

This drawing is the property of Chandler Signs, LLC  
All rights to its use for reproduction are reserved by Chandler Signs, LLC

**FINAL ELECTRICAL CONNECTION BY CUSTOMER**

THIS SIGN IS INTENDED TO BE INSTALLED IN ACCORDANCE WITH ARTICLE 600 OF THE NATIONAL ELECTRICAL CODE AND/OR OTHER APPLICABLE LOCAL CODES. THIS INCLUDES PROPER GROUNDING & BONDING OF THE SIGN. SIGN WILL BEAR UL LABEL(S).



Design #

0633408Ar12

Sheet 3 of 13

Client

MAYFAIR

Address

Ih35 between Watson Ln.,  
New Braunfels, TX

Account Rep. STAN MACRUM  
MELANIE DeLEON

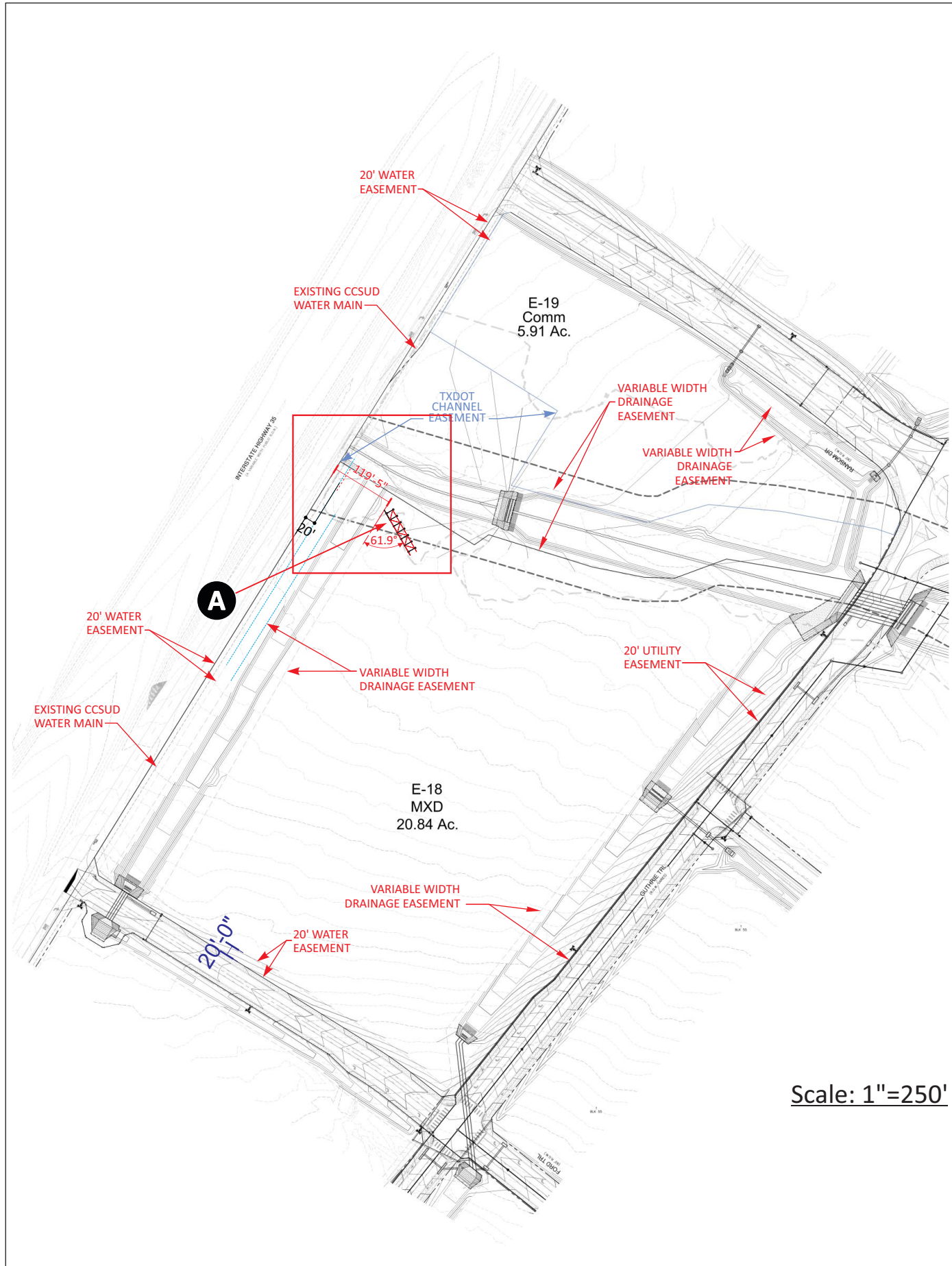
Designer TQ

Date 8/15/22

Approval / Date

Client	
Sales	
Estimating	
Art	
Engineering	
Landlord	
Revision/Date	

R1008-18-22BR: add SIB Eng. calc's to design.  
 R2008-07-22PA: Added more info, details per phone conference with TM.  
 R02-08-22PA: Revised Letter Signs on frame structure with 2 Options - Option 1 - 5" deep open channel letters, redesigned with 3 rows of Contour LEDs; Option 2: FOC Alum. with 2" alum. single perimeter at back for night, external lighting by customer. Water Tower. Calculated & added center steel support & Pier, recalculated all piers as 48" dia. x 11' high.  
 R03/12/22PA: Revised "M" Logo to read "MAYFAIR" "Z" code around tower with 3 styles of Contour LEDs.  
 R03/15/22PA: Revised "W" Water Tower to have 2 Options: Opt 1 - 36" Base Center Pipe Support x 5' dia. x 20' deep Pier with 48" x 4" sq. steel supports; Opt 2 - 36" Base Center Pipe Support x 5' dia. x 20' deep Pier with 48" x 10" sq. steel supports. Showed sketch graphic at both options.  
 R03/16/22PA: Removed Opt. 1 & 2 from rendering on pg. 16; B - Opt. 1: Changed all letters to red, not multi-colored; B Opt. 2: Removed Metal Graphic, changed all letters to red, not multi-colored.  
 R03/22/22PA: Removed Option 2 - Non-H letters for sign "A"; Reduced "A" letter signage 25%, keeping same height framework, reducing number of support piers from 18 to 14, adjusted rendering on page 1 showing correct number rows of contour led tubing, updated site plan showing all signage approx. locations. (Note: Signs C1-C5 are on separate set R03/24/22PA).  
 R3/10/22PA: Broke out Mockup plan of Letter "M".  
 R10/12/22PA: updated a site plan from customer.  
 R04/11/22PA: Updated site plan and showed 2 optional locations for sign A; Included Mockup targeting photos with approximate sign placement; photo survey studies; Removed sign B from package temporarily.  
 R04/11/22PA: Updated photo / renderings at sheets 5 & 7; ;  
 R10/22/22PA: Deleted page 8.  
 R10/26/22PA: Corrected Option 1 sign location on Option-1 Photo-rendering Exhibits 1 & 2.  
 R10/11/22PA: Reduced sign structure height by eliminating a 7' frame section and also reducing the lower platform accordingly; R10/24/22PA: Added a square footage study showing each letter height x width and percentage of sign that is actual letter portion of sign.  
 R11/12/22PA: Kept Option 1 placement, detailed option 2; Changed The Four Neons at "MAYFAIR" to be RGB Four Neon.  
 R12/20/22PA: Removed Sign Square footage calculations showing "Live Area".



Scale: 1"=250'



Scale: 1"=50'

Det. 01



**National Headquarters** 14201 Sovereign Road #101  
Fort Worth, TX 76155  
(214) 902-2000 Fax (214) 902-2044

**San Antonio** 17319 San Pedro Avenue  
Suite 200  
San Antonio, TX 78232  
(210) 349-3804 Fax (210) 349-8724

**Northeast US** 2301 River Road, Suite 201  
Louisville, KY 40206  
(502) 897-9800 Cell (502) 554-2575

**Georgia** 111 Woodstone Place  
Dawsonville, GA 30534  
(678) 725-8852 Fax (210) 349-8724

**South Texas** PO BOX 125 206 Doral Drive  
Portland, TX 78374  
(863) 563-5399 Fax (863) 643-6533

This drawing is the property of Chandler Signs, LLC. All rights to its use for reproduction are reserved by Chandler Signs, LLC.

**FINAL ELECTRICAL CONNECTION BY CUSTOMER**

THIS SIGN IS INTENDED TO BE INSTALLED IN ACCORDANCE WITH ARTICLE 600 OF THE NATIONAL ELECTRICAL CODE AND/OR OTHER APPLICABLE LOCAL CODES. THIS INCLUDES PROPER GROUNDING & BONDING OF THE SIGN. SIGN WILL BEAR UL LABEL(S).



EXHIBIT 1

<b>Design #</b>	
0633408Ar12	
<b>Sheet 4 of 13</b>	
<b>Client</b>	
MAYFAIR	
<b>Address</b>	
lh35 between Watson Ln., New Braunfels, TX	
<b>Account Rep.</b>	STAN MACRUM MELANIE DeLEON
<b>Designer</b>	TQ
<b>Date</b>	8/15/22
<b>Approval / Date</b>	
<b>Client</b>	
<b>Sales</b>	
<b>Estimating</b>	
<b>Art</b>	
<b>Engineering</b>	
<b>Landlord</b>	
<b>Revision/Date</b>	
R1008-18-22BR: add SMB Eng. calc's to design.	
R2039-07-22PA: Added more info, details per phone conference with D.M.	
R202-08-22PA: Revised Letter Signs on frame structure with 2 Options - Option 1 - 5" deep open channel letters, redesigned with 3 rows of Contour LEDs; Option 2: FOC Alum. with 2" alum. angle perimeter at back for apply, external lighting by customer. Vasec Tower. Calculated & added center steel support & Pier. recalculated all piers as 48" dia. x 11' high.	
R310123PA: Revised "M" Logo to read "MAYFAIR" 72" odc around tower with 2 sides of Contour LEDs.	
R6031323PA: Revised "W" Water Tower to have 2 Options. Opt 1 - 36" Base Center Pipe Support x 5 dia. x 20' deep Pier with 40 5" x 8" sq. steel supports; Opt 2 - 36" Base Center Pipe Support x 5 dia. x 20' deep Pier with 40 10" x 10" sq. steel supports. Showed artist's graphic at both options.	
R6031623PA: Removed Opt. 1 & 2 from rendering on pg. 16; B - Opt. 1. Changed all letters to red, not multi-colored; B Opt. 2. Removed Maral Graphic, changed all letters to red, not multi-colored.	
R602223PA: Revised Option 2 - Non-H letters for sign "A"; Reduced "A" letter height 25%, keeping same height framework, reducing number of support piers from 18 to 14, adjusted rendering on page 1 showing correct number rows of contour led tubing; updated site plan showing all signage approx. locations. (Note: Signs C1-C5 are on separate set R6020401).	
R7010123PA: Broke out Mockup plan of Letter "M"; R110123PA: updated a site plan from customer.	
R6011523PA: Updated site plan and showed 2 optional locations for sign A; finished Mockup targeting photo with approximate sign placement; photo survey studies; Removed sign B from package temporarily.	
R6011223PA: Deleted page 8; R1102023PA: Corrected Option 1 sign location on Option-1 Photo-rendering Exhibits 1 & 2.	
R1101023PA: Revised sign structure height by eliminating a 7' frame section and also reducing the lower platform accordingly; (1) ACCIPPA: Added a square footage study showing each letter height x width and percentage of sign that is actual letter portion of sign.	
R11120723PA: Kept Option 1 placement, deleted option 2; Changed The Four Neons at "MAYFAIR" to be FCSB Four Neon.	
R1220124PA: Removed Sign Square footage calculations showing "Live Area"	

**CHANDLER SIGNS**

<b>National Headquarters</b>	14201 Sovereign Road #101 Fort Worth, TX 76155 (214) 902-2000 Fax (214) 902-2044
<b>San Antonio</b>	17319 San Pedro Avenue Suite 200 San Antonio, TX 78232 (210) 349-3804 Fax (210) 349-8724
<b>Northeast US</b>	2301 River Road, Suite 201 Louisville, KY 40206 (502) 897-9800 Cell (502) 554-2575
<b>Georgia</b>	111 Woodstone Place Dawsonville, GA 30534 (678) 725-8852 Fax (210) 349-8724
<b>South Texas</b>	PO BOX 125 206 Doral Drive Portland, TX 78374 (863) 563-5399 Fax (361) 643-6533

This drawing is the property of Chandler Signs, LLC  
All rights to its use for reproduction are reserved by Chandler Signs, LLC

**FINAL ELECTRICAL CONNECTION BY CUSTOMER**

THIS SIGN IS INTENDED TO BE INSTALLED IN ACCORDANCE WITH ARTICLE 600 OF THE NATIONAL ELECTRICAL CODE AND/OR OTHER APPLICABLE LOCAL CODES. THIS INCLUDES PROPER GROUNDING & BONDING OF THE SIGN. SIGN WILL BEAR UL LABEL(S).



<b>Design #</b>	<b>0633408Ar12</b>
<b>Sheet</b>	<b>5 of 13</b>
<b>Client</b>	<b>MAYFAIR</b>
<b>Address</b>	<b>lh35 between Watson Ln., New Braunfels, TX</b>
<b>Account Rep.</b>	<b>STAN MACRUM MELANIE DeLEON</b>
<b>Designer</b>	<b>TQ</b>
<b>Date</b>	<b>8/15/22</b>
<b>Approval / Date</b>	
<b>Client</b>	
<b>Sales</b>	
<b>Estimating</b>	
<b>Art</b>	
<b>Engineering</b>	
<b>Landlord</b>	
<b>Revision/Date</b>	

R108-18-22BR: add SMB Eng. calls to design.  
 R209-07-22PA: Added more info, details per phone conference with D.M.  
 R202-08-22PA: Revised Letter Signs on frame structure with 2 Options - Option 1 - 5" deep open channel letters, redesigned with 3 rows of Contour LEDs; Option 2: FOC Alum. with 2" alum. angle perimeter at back for apply, external lighting by customer. Vase Tower: Calculated & added center steel support & Pier recalculated all piers as 48" dia. x 11' high.  
 R31122PA: Revised "M" Logo to read "MAYFAIR" 72" odc around tower with 2 stories of Contour LEDs.  
 R403122PA: Revised "M" Water Tower to have 2 Options: Opt 1 - 36" Base Center Pipe Support x 5' dia. x 20' deep Pier with 6" 5" x 8" steel supports; Opt 2 - 36" Base Center Pipe Support x 5' dia. x 20' deep Pier with 4" 10" x 10" sq. steel supports. Showed artist's graphic at both options.  
 R5031522PA: Removed Opt. 1 & 2 from rendering on pg. 16; B - Opt. 1: Changed all letters to red, not multi-colored; B Opt. 2: Removed Metal Graphic, changed all letters to red, not multi-colored.  
 R602222PA: Removed Option 2 - Non-H letters for sign "A"; Reduced "A" letter signage 25%, keeping same height framework, reducing number of support piers from 18 to 14 adjusted rendering on page 1 showing correct number rows of contour led tubing; updated site plan showing all signage approx. locations. (Note: Signs C1-C5 are on separate set R622042PA).  
 R7101222PA: Broke out Mockup plan of Letter "M".  
 R101022PA: updated a site plan from customer.  
 R6111522PA: Updated site plan and showed 2 optional locations for sign A; included Mockup targeting photo with approximate sign placement; photo survey studies; Removed sign B from package temporarily.  
 R611222PA: Deleted page 8.  
 R110222PA: Updated photo / renderings at sheets 5 & 7.;  
 R110222PA: Corrected Option 1 sign location on Option-1 Photo-rendering Exhibits 1 & 2.  
 R1011022PA: Revised sign structure height by eliminating a 7' frame section and also reducing the lower platform accordingly; 12/14/22PA: Added a square footage study showing each letter height x width and percentage of sign that is actual letter portion of sign.  
 R11120722PA: Kept Option 1 placement, deleted option 2; Changed The Four Neons at "MAYFAIR" to be FOC Four Neons.  
 R1220122PA: Removed Sign Square footage calculations showing "Live Area"



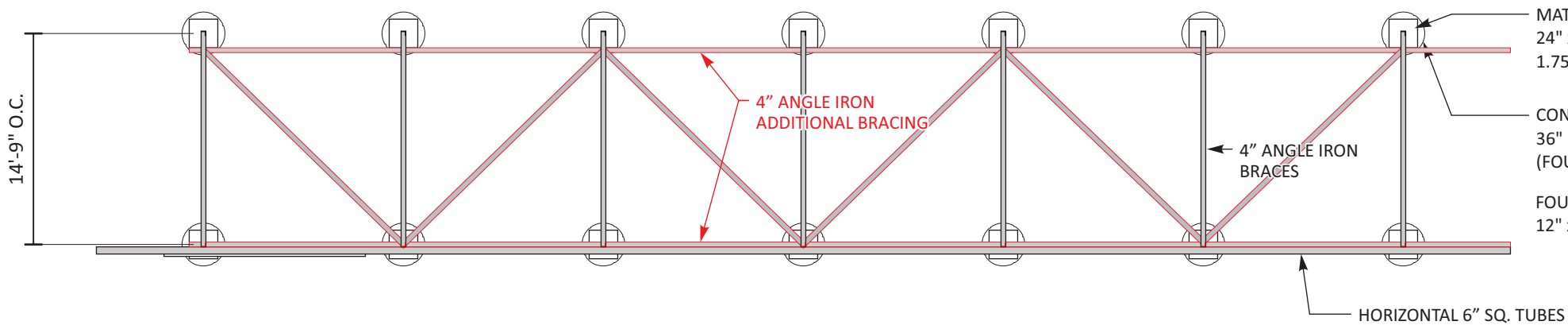
<b>National Headquarters</b>	14201 Sovereign Road #101 Fort Worth, TX 76155 (214) 902-2000 Fax (214) 902-2044
<b>San Antonio</b>	17319 San Pedro Avenue Suite 200 San Antonio, TX 78232 (210) 349-3804 Fax (210) 349-8724
<b>Northeast US</b>	2301 River Road, Suite 201 Louisville, KY 40206 (502) 897-9800 Cell (502) 554-2575
<b>Georgia</b>	111 Woodstone Place Dawsonville, GA 30534 (678) 725-8852 Fax (210) 349-8724
<b>South Texas</b>	PO BOX 125 206 Doral Drive Portland, TX 78374 (361) 563-5999 Fax (361) 643-6533

This drawing is the property of Chandler Signs, LLC  
 All rights to its use for reproduction are reserved by Chandler Signs, LLC

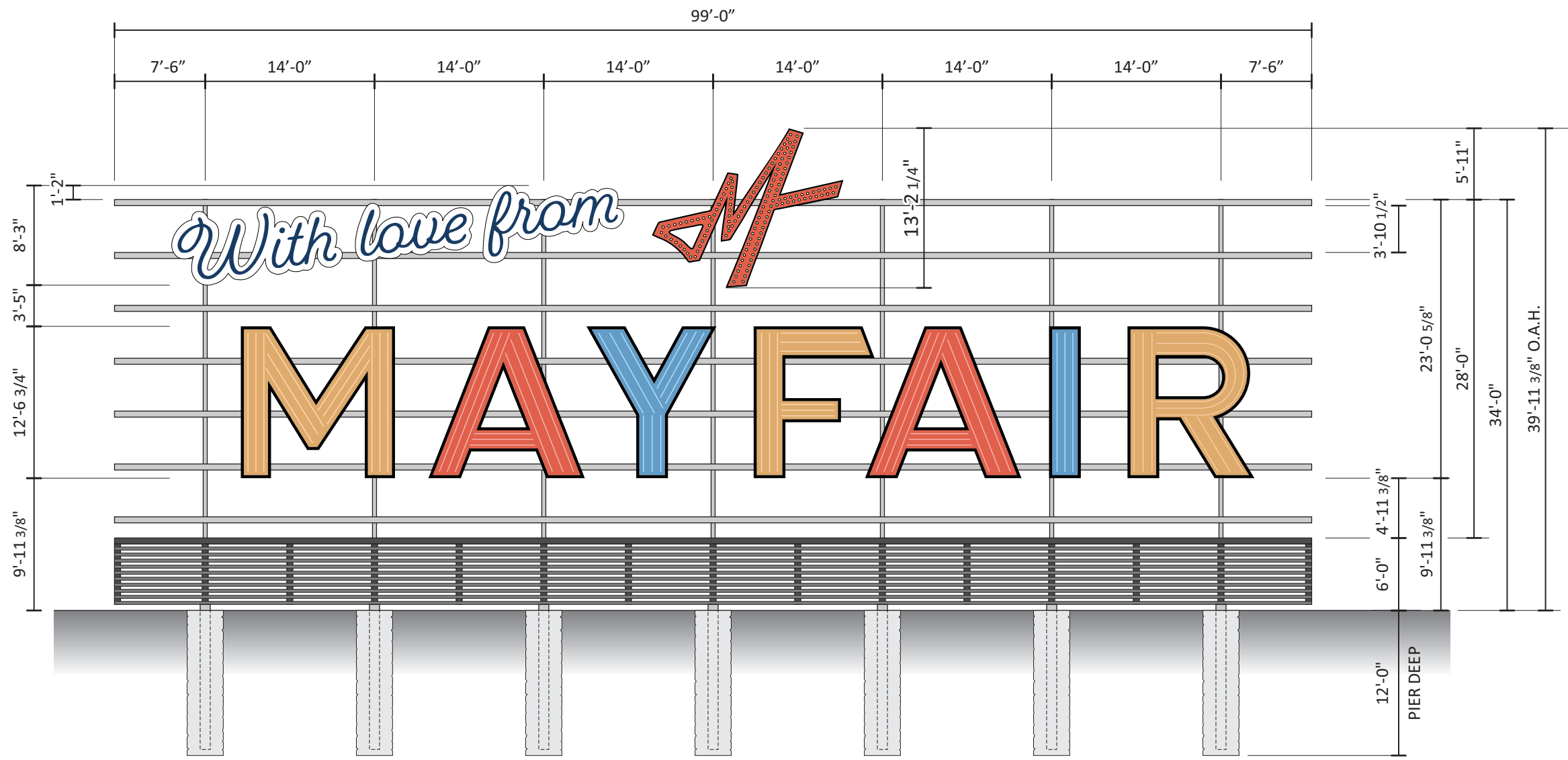
**FINAL ELECTRICAL CONNECTION BY CUSTOMER**

THIS SIGN IS INTENDED TO BE INSTALLED IN ACCORDANCE WITH ARTICLE 600 OF THE NATIONAL ELECTRICAL CODE AND/OR OTHER APPLICABLE LOCAL CODES. THIS INCLUDES PROPER GROUNDING & BONDING OF THE SIGN. SIGN WILL BEAR UL LABEL(S).

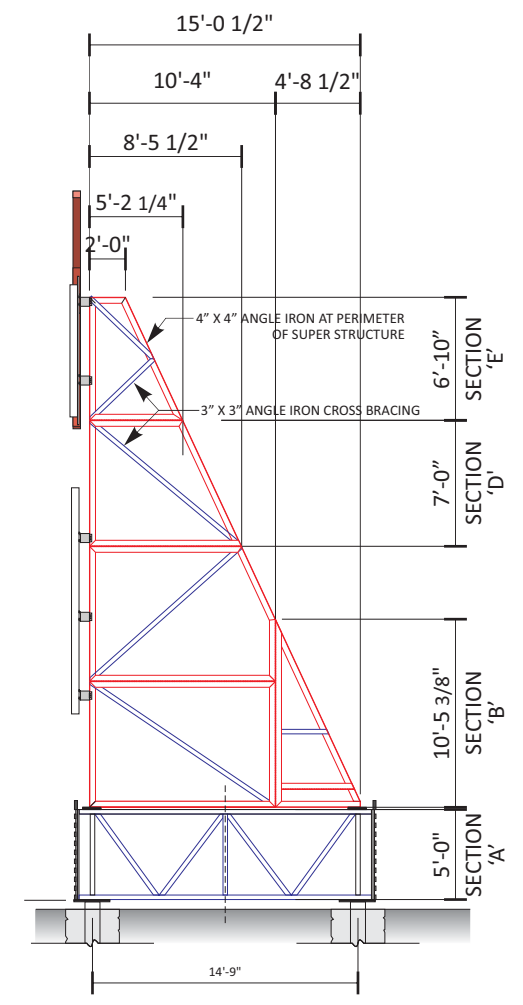
EXHIBIT 2



PLAN VIEW SCALE: 3/32" = 1' - 0"



**A** MAIN SIGN I.D. SCALE: 3/32" = 1' - 0"  
ONE [1] REQUIRED - MANUFACTURE & INSTALL



<b>Design #</b>	<b>0633408Ar12</b>
<b>Sheet</b>	<b>6 of 13</b>
<b>Client</b>	<b>MAYFAIR</b>
<b>Address</b>	<b>lh35 between Watson Ln., New Braunfels, TX</b>
<b>Account Rep.</b>	<b>STAN MACRUM MELANIE DeLEON</b>
<b>Designer</b>	<b>TQ</b>
<b>Date</b>	<b>8/15/22</b>
<b>Approval / Date</b>	
<b>Client</b>	
<b>Sales</b>	
<b>Estimating</b>	
<b>Art</b>	
<b>Engineering</b>	
<b>Landlord</b>	
<b>Revision/Date</b>	

R108-18-22BR: add SIB Eng. calls to design.  
R208-07-22PA: Added more rfg. details per phone conference with D.M.  
R302-08-22PA: Revised Letter Signs on frame structure with 2 Options - Option 1 - 5" deep open channel letters, redesigned with 3 rows of Contour LEDs; Option 2 - FOC Alum. with 2" alum. angle perimeter at back for night, external lighting by customer. Water Tower. Calculated & added center steel support & Pier. recalculated all piers as 48" dia. x 11' deep.  
R310-12-22PA: Revised "M" Logo to read "MAYFAIR" 72" dia around tower with 2 sections of Contour LEDs.  
R313-10-22PA: Revised "M" Water Tower to have 2 Options: Opt 1 - 36" Base Center Pipe Support x 5 dia. x 20' deep Pier with (4) 5" x 5" sq. steel supports; Opt 2 - 36" Base Center Pipe Support x 5 dia. x 20' deep Pier with (4) 10" x 10" sq. steel supports. Showed artist's graphic at both options.  
R316-10-22PA: Removed Opt. 1 & 2 from rendering on pg. 16; B - Opt. 1: Changed all letters to red, not multi-colored; E - Opt. 2: Revised Metal Graphic, changed all letters to red, not multi-colored.  
R319-10-22PA: Removed Option 2 - Non-H letters for sign "M"; Reduced "M" letter signage 25%, keeping same height framework, reducing number of support piers from 18 to 14 adjusted rendering on page 1 showing correct number rows of contour led tubing, updated site plan showing all signage approx. locations. (Note: Signs C1-C5 are on separate set R320-04-22).  
R310-12-22PA: Broke out Mockup plan of Letter "M".  
R101-12-22PA: updated a site plan from customer.  
R311-11-22PA: Updated site plan and showed 2 optional locations for sign A; included Mockup targeting photos with approximate sign placement; photo banner studies; Removed sign B from package temporarily.  
R311-12-22PA: Updated photo / renderings at sheets 5 & 7.;  
R102-02-22PA: Deleted page 8.  
R102-02-22PA: Corrected Option 1 sign location on Option 1 Photo-rendering Exhibits 1 & 2.  
R101-10-22PA: Reduced sign structure height by eliminating a 7' frame section and also reducing the lower platform accordingly; 11/24/22PA: Added a square footage study showing each letter height x width and percentage of sign that is actual letter portion of sign.  
R11-12-07-22PA: Kept Option 1 placement, detailed option 2; Changed The Four Neons at "MAYFAIR" to be RGB Four Neon.  
R12-201-22PA: Removed Sign Square footage calculations showing "Low Area"



<b>National Headquarters</b>	14201 Sovereign Road #101 Fort Worth, TX 76155 (214) 902-2000 Fax (214) 902-2044
<b>San Antonio</b>	17319 San Pedro Avenue Suite 200 San Antonio, TX 78232 (210) 349-3804 Fax (210) 349-8724
<b>Northeast US</b>	2301 River Road, Suite 201 Louisville, KY 40206 (502) 897-9800 Cell (502) 554-2575
<b>Georgia</b>	111 Woodstone Place Dawsonville, GA 30534 (678) 725-8852 Fax (210) 349-8724
<b>South Texas</b>	PO BOX 125 206 Doral Drive Portland, TX 78374 (863) 563-5399 Fax (361) 643-6533

This drawing is the property of Chandler Signs, LLC  
All rights to its use for reproduction are reserved by Chandler Signs, LLC

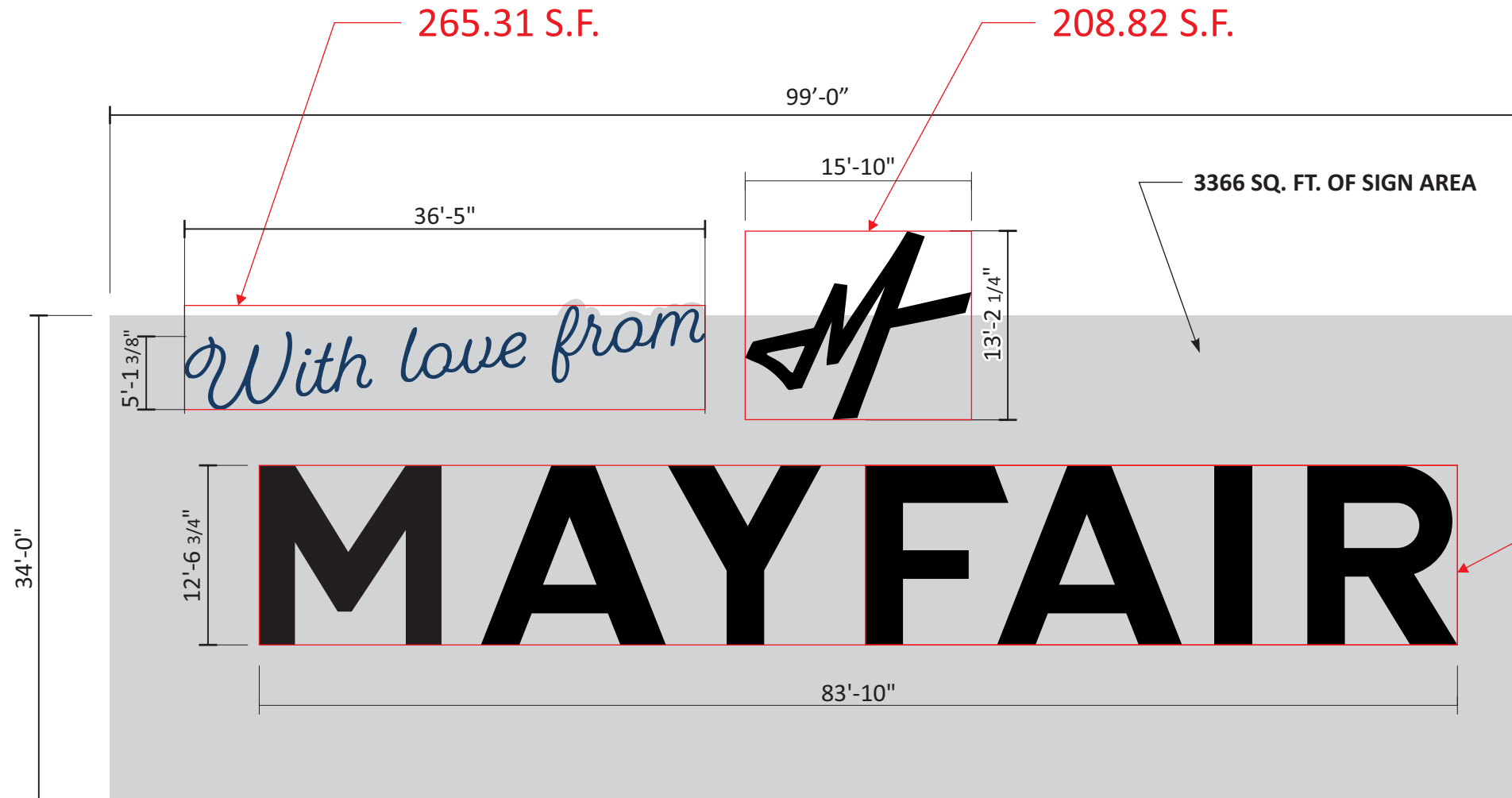
**FINAL ELECTRICAL CONNECTION BY CUSTOMER**

THIS SIGN IS INTENDED TO BE INSTALLED IN ACCORDANCE WITH ARTICLE 600 OF THE NATIONAL ELECTRICAL CODE AND/OR OTHER APPLICABLE LOCAL CODES. THIS INCLUDES PROPER GROUNDING & BONDING OF THE SIGN. SIGN WILL BEAR UL LABEL(S).

**NOTE: STAMPED ENGINEERING REQUIRED PRIOR TO FABRICATION**



265.31 S.F. - WITH LOVE FROM  
 208.82 S.F. - M  
 1053.15 S.F. - MAYFAIR  
**1527.28 S.F. - TOTAL**



1053.15 S.F.

45.37% OF SIGN AREA IS ACTUAL LETTERING

**A LETTER SIGNAGE - SQUARE FOOTAGE CALCULATIONS**

SCALE: 3/32" = 1' - 0"

**1527.28 S.F. - TOTAL**

<b>Design #</b>	<b>0633408Ar12</b>
<b>Sheet</b>	<b>7 of 13</b>
<b>Client</b>	<b>MAYFAIR</b>
<b>Address</b>	<b>lh35 between Watson Ln., New Braunfels, TX</b>
<b>Account Rep.</b>	<b>STAN MACRUM MELANIE DeLEON</b>
<b>Designer</b>	<b>TQ</b>
<b>Date</b>	<b>8/15/22</b>
<b>Approval / Date</b>	
<b>Client</b>	
<b>Sales</b>	
<b>Estimating</b>	
<b>Art</b>	
<b>Engineering</b>	
<b>Landlord</b>	
<b>Revision/Date</b>	
<small>R1/08-18-22/BR: add SIB Eng. calls to design.        R2/09-07-22/PA: Added more info, details per phone conference with S.M.        R3/23-08-22/PA: Revised Letter Signs on frame structure with 2 Options - Option 1 - 5" deep open channel letters, redesigned with 3 rows of Contour LEDs; Option 2: FOC Alum. with 2" alum. angle perimeter at back for uplit, external lighting by customer. Vase Tower: Calculated &amp; added center steel support &amp; Pier, recalculated all piers as 48" dia. x 11' high.        R3/12/23/PA: Revised "M" Logo to read "MAYFAIR" 72" odc around tower wall with 2 circles of Contour LEDs.        R4/31/23/PA: Revised "M" Water Tower to have 2 Options: Opt 1 - 36" Base Center Pipe Support x 5 dia. x 20' deep Pier with (4) 6" x 6" sq. steel supports; Opt 2 - 36" Base Center Pipe Support x 5 dia. x 20' deep Pier with (4) 10" x 10" sq. steel supports. Showed artist's graphic at both options.        R5/31/23/PA: Removed Opt. 1 &amp; 2 from rendering on pg. 16; B - Opt. 1: Changed all letters to red, not multi-colored; B Opt. 2: Removed Metal Graphic, changed all letters to red, not multi-colored.        R6/23/23/PA: Removed Option 2 - Non-H letters for sign "M"; Reduced "M" letter signage 25%, keeping same height framework, reducing number of support piers from 18 to 14, adjusted rendering on page 1 showing correct number rows of contour led tubing, updated site plan showing all signage approx. locations. (Note: Signs C1-C5 are on separate set R6/23/24/1).        R7/10/23/PA: Broke out Mockup plan of Letter "M".        R10/12/23/PA: updated a site plan from customer.        R8/11/23/PA: Updated site plan and showed 2 optional locations for sign A; Included Mockup targeting photos with approximate sign placement; photo survey studies; Removed sign B from package temporarily.        R9/11/23/PA: Updated photo / renderings at sheets 5 &amp; 7.;        R10/22/23/PA: Deleted page 8.        R11/09/23/PA: Corrected Option 1 sign location on Option-1 Photo-rendering Exhibits 1 &amp; 2.        R11/10/23/PA: Reduced sign structure height by eliminating a 7' frame section and also reducing the lower platform accordingly; R12/04/23/PA: Added a square footage study showing each letter height x width and percentage of sign that is actual letter portion of sign.        R11/12/23/PA: Kept Option 1 placement, deleted option 2; Changed The Four Neons at "MAYFAIR" to be FSB Four Neon.        R12/20/24/PA: Removed Sign Square footage calculations showing "Live Area"</small>	

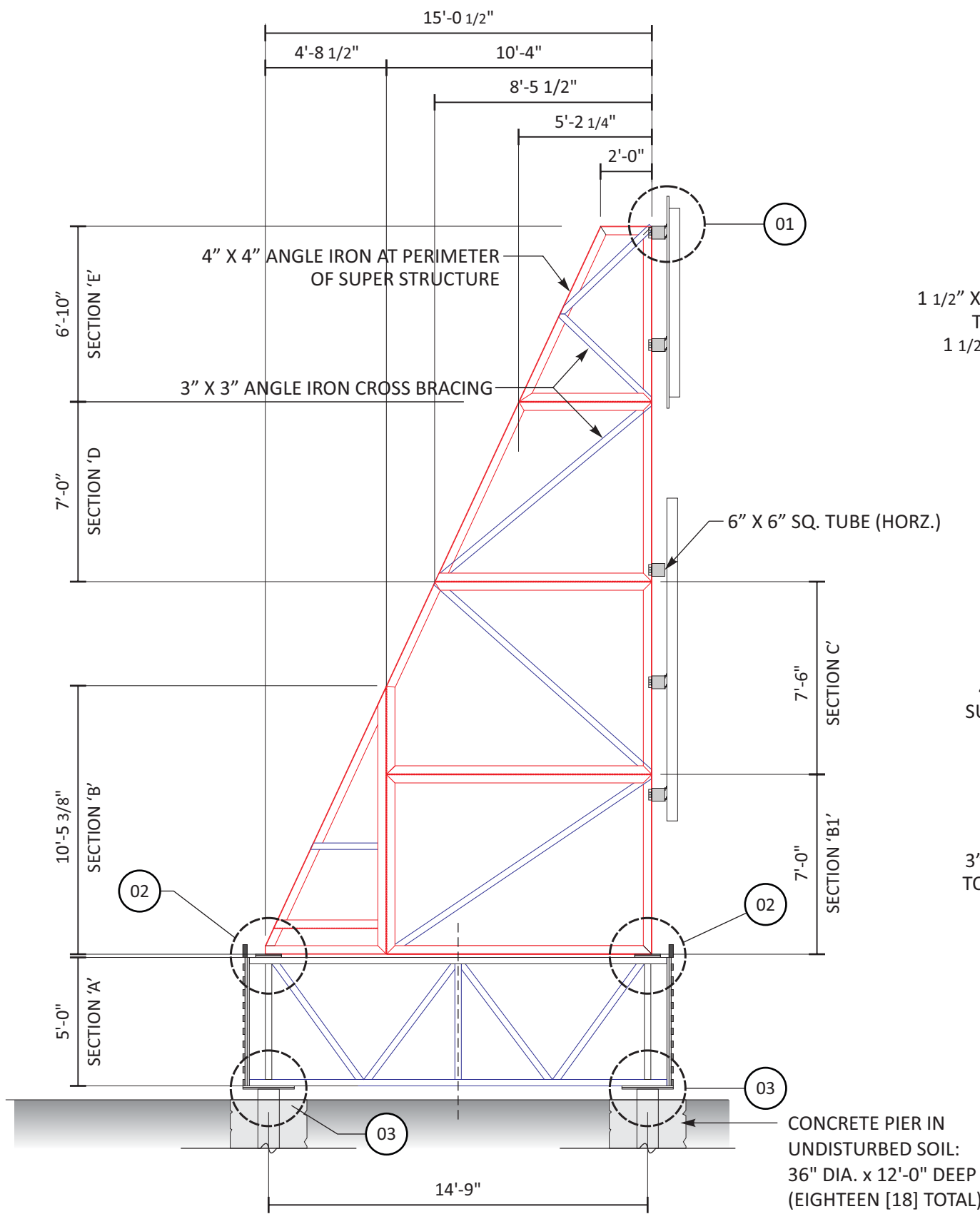


<b>National Headquarters</b>	14201 Sovereign Road #101 Fort Worth, TX 76155 (214) 902-2000 Fax (214) 902-2044
<b>San Antonio</b>	17319 San Pedro Avenue Suite 200 San Antonio, TX 78232 (210) 349-3804 Fax (210) 349-8724
<b>Northeast US</b>	2301 River Road, Suite 201 Louisville, KY 40206 (502) 897-9800 Cell (502) 554-2575
<b>Georgia</b>	111 Woodstone Place Dawsonville, GA 30534 (678) 725-8852 Fax (210) 349-8724
<b>South Texas</b>	PO BOX 125 206 Doral Drive Portland, TX 78374 (361) 563-5399 Fax (361) 643-6533

This drawing is the property of Chandler Signs, LLC  
 All rights to its use for reproduction are reserved by Chandler Signs, LLC

**FINAL ELECTRICAL CONNECTION BY CUSTOMER**

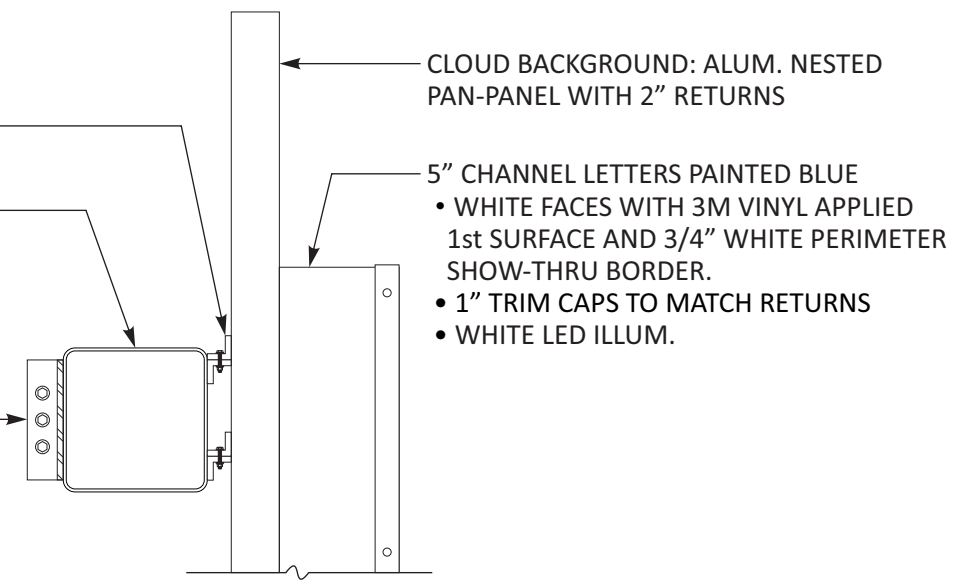
THIS SIGN IS INTENDED TO BE INSTALLED IN ACCORDANCE WITH ARTICLE 600 OF THE NATIONAL ELECTRICAL CODE AND/OR OTHER APPLICABLE LOCAL CODES. THIS INCLUDES PROPER GROUNDING & BONDING OF THE SIGN. SIGN WILL BEAR UL LABEL(S).



1" X 1" GALV. METAL CLIPS.  
BOLT TOGETHER ON SITE.

6" X 6" SQ. TUBE (HORZ.)

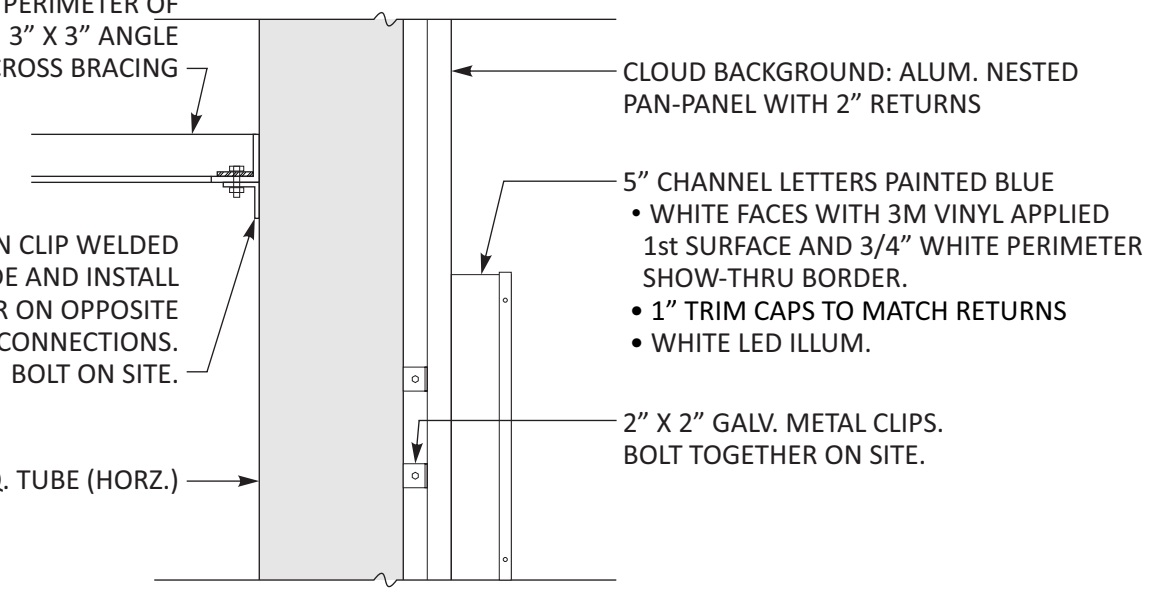
1 1/2" X 1 1/2" X 5" ANGLE IRON CLIP WELDED TO 6" SQ. TUBE. PROVIDE AND INSTALL 1 1/2" X 1 1/2" X 6" FLAT BAR ON OPPOSITE SIDE. SIMILAR AT ALL CONNECTIONS. BOLT ON SITE.



01 SECTION DETAIL SCALE: 1 1/2" = 1' - 0"

4" X 4" ANGLE IRON AT PERIMETER OF SUPER STRUCTURE WITH 3" X 3" ANGLE IRON CROSS BRACING

3" X 3" X 10" ANGLE IRON CLIP WELDED TO 12" SQ. TUBE. PROVIDE AND INSTALL 3" X 3" X 10" FLAT BAR ON OPPOSITE SIDE. SIMILAR AT ALL CONNECTIONS. BOLT ON SITE.



01 PLAN VIEW SCALE: 3/4" = 1' - 0"

SECTION DETAIL AT GROUND LEVEL SCALE: 3/16" = 1' - 0"

CLOUD BACKGROUND: ALUM. NESTED PAN-PANEL WITH 2" RETURNS

5" CHANNEL LETTERS PAINTED BLUE

- WHITE FACES WITH 3M VINYL APPLIED 1st SURFACE AND 3/4" WHITE PERIMETER SHOW-THRU BORDER.
- 1" TRIM CAPS TO MATCH RETURNS
- WHITE LED ILLUM.

CLOUD BACKGROUND: ALUM. NESTED PAN-PANEL WITH 2" RETURNS

5" CHANNEL LETTERS PAINTED BLUE

- WHITE FACES WITH 3M VINYL APPLIED 1st SURFACE AND 3/4" WHITE PERIMETER SHOW-THRU BORDER.
- 1" TRIM CAPS TO MATCH RETURNS
- WHITE LED ILLUM.

2" X 2" GALV. METAL CLIPS.  
BOLT TOGETHER ON SITE.

<b>Design #</b>	0633408Ar12
<b>Sheet</b>	8 of 13
<b>Client</b>	MAYFAIR
<b>Address</b>	Ih35 between Watson Ln., New Braunfels, TX
<b>Account Rep.</b>	STAN MACRUM MELANIE DeLEON
<b>Designer</b>	TQ
<b>Date</b>	8/15/22
<b>Approval / Date</b>	
<b>Client</b>	
<b>Sales</b>	
<b>Estimating</b>	
<b>Art</b>	
<b>Engineering</b>	
<b>Landlord</b>	
<b>Revision/Date</b>	

R108-18-22BR: add SIB Eng. calls to design.

R209-07-22PA: Added more info, details per phone conference with D.M.

R202-08-22PA: Revised Letter Signs on frame structure with 2 Options - Option 1 - 5" deep open channel letters, redesigned with 3 rows of Contour LEDs; Option 2 - FOC Alum. with 2" alum. angle perimeter at back for apply, external lighting by customer. Water Tower. Calculated & added center steel support & Pier, recalculated all piers as 48" dia. x 11' high.

R31122PA: Revised "M" Logo to read "MAYFAIR" 72" odc around tower with 2 stories of Contour LEDs.

R401322PA: Revised "M" Water Tower to have 2 Options: Opt 1 - 36" Base Center Pipe Support x 5 dia. x 20' deep Pier with (6) 6" x 6" sq. steel supports; Opt 2 - 36" Base Center Pipe Support x 5 dia. x 20' deep Pier with (4) 10" x 10" sq. steel supports. Showed artist's graphic at both options.

R501622PA: Removed Opt. 1 & 2 from rendering on pg. 16; B - Opt. 1: Changed all letters to red, not multi-colored; B Opt. 2: Removed Metal Graphic, changed all letters to red, not multi-colored.

R602222PA: Removed Option 2 - Non-H letters for sign "A"; Reduced "A" letter signage 25%, keeping same height framework, reducing number of support piers from 18 to 14; adjusted rendering on page 1 showing correct number rows of contour led tubing; updated site plan showing all signage approx. locations. (Note: Signs C1-C5 are on separate set R6020A-1).

R701022PA: Broke out Mockup plan of Letter "M"; (11/01/22)PA: updated a site plan from customer.

R8011522PA: Updated site plan and showed 2 optional locations for sign A; included Mockup targeting photos with approximate sign placement; photo banner studies; Removed sign B from package temporarily.

R9011222PA: Updated photo / renderings at sheets 5 & 7; (11/29/22)PA: Corrected Option 1 sign location on Option-1 Photo-rendering Exhibits 1 & 2.

R1011222PA: Reduced sign structure height by eliminating a 7' frame section and also reducing the lower platform accordingly; (12/04/22)PA: Added a square footage study showing each letter height x width and percentage of sign that is actual letter portion of sign.

R11120722PA: Kept Option 1 placement, detailed option 2; Changed The Four Noons at "MAYFAIR" to be FOC Four Noons.

R1220122PA: Removed Sign Square footage calculations showing "Live Area"

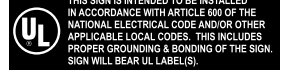


<b>National Headquarters</b>	14201 Sovereign Road #101 Fort Worth, TX 76155 (214) 902-2000 Fax (214) 902-2044
<b>San Antonio</b>	17319 San Pedro Avenue Suite 200 San Antonio, TX 78232 (210) 349-3804 Fax (210) 349-8724
<b>Northeast US</b>	2301 River Road, Suite 201 Louisville, KY 40206 (502) 897-9800 Cell (502) 554-2575
<b>Georgia</b>	111 Woodstone Place Dawsonville, GA 30534 (678) 725-8852 Fax (210) 349-8724
<b>South Texas</b>	PO BOX 125 206 Doral Drive Portland, TX 78374 (361) 563-5399 Fax (361) 643-6533

This drawing is the property of Chandler Signs, LLC. All rights to its use for reproduction are reserved by Chandler Signs, LLC.

**FINAL ELECTRICAL CONNECTION BY CUSTOMER**

THIS SIGN IS INTENDED TO BE INSTALLED IN ACCORDANCE WITH ARTICLE 600 OF THE NATIONAL ELECTRICAL CODE AND/OR OTHER APPLICABLE LOCAL CODES. THIS INCLUDES PROPER GROUNDING & BONDING OF THE SIGN. SIGN WILL BEAR UL LABEL(S).







Design #

0633408Ar12

Sheet 9 of 13

Client

MAYFAIR

Address

lh35 between Watson Ln.,  
New Braunfels, TX

Account Rep. STAN MACRUM  
MELANIE DeLEON

Designer TQ

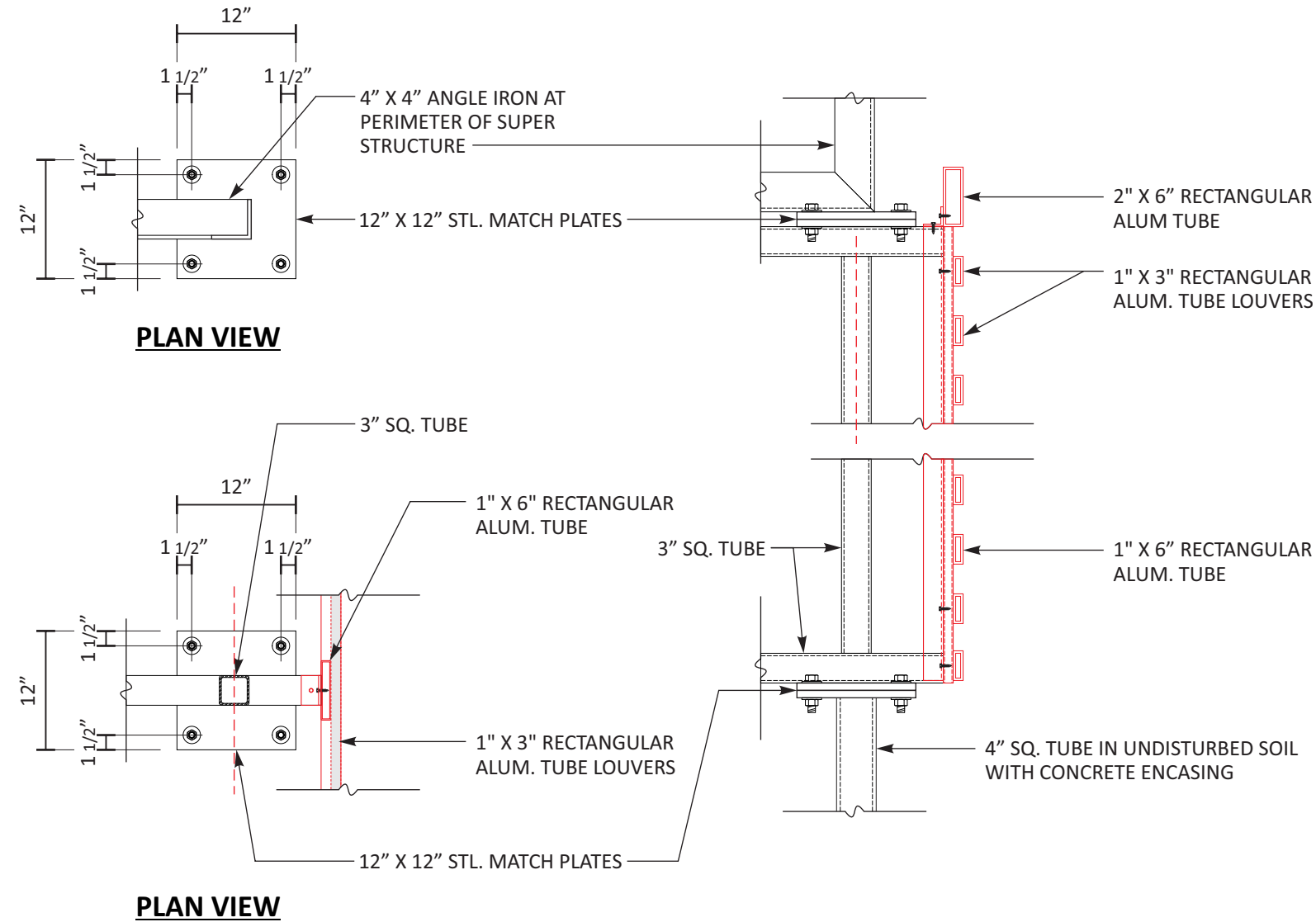
Date 8/15/22

Approval / Date

Client	
Sales	
Estimating	
Art	
Engineering	
Landlord	

Revision/Date

R1/08-18-22/BR: add SIB Eng. calls to design.
R2/09-07-22/PA: Added more info, details per phone conference with D.M.
R3/2-28-22/PA: Revised Letter Signs on frame structure with 2 Options - Option 1 - 5" deep open channel letters, redesigned with 3 rows of Contour LEDs; Option 2: FOC Alum. with 2" alum. angle perimeter at back for uplight, external lighting by customer. Vaseer Tower. Calculated & added center steel support & Pier, recalculated all piers as 48" dia. x 11' high.
R3/11/22/PA: Revised "M" Logo to read "MAYFAIR" 72" odc around tower with 2 stories of Contour LEDs.
R4/3/30/22/PA: Revised "M" Water Tower to have 2 Options: Opt 1 - 36" Base Center Pipe Support x 5' dia. x 20' deep Pier with (4) 1" x 3" sq. steel supports; Opt 2 - 36" Base Center Pipe Support x 5' dia. x 20' deep Pier with (4) 1" x 10" sq. steel supports. Showed artist's graphic at both options.
R5/3/16/22/PA: Removed Opt. 1 & 2 from rendering on pg. 16; B - Opt. 1: Changed all letters to red, not multi-colored; B Opt. 2: Removed Metal Graphic, changed all letters to red, not multi-colored.
R6/2/22/22/PA: Removed Option 2 - Non-H letters for sign "A"; Reduced "A" letter signage 25%, keeping same height framework, reducing number of support piers from 18 to 14, adjusted rendering on page 1 showing correct number rows of contour led tubing, updated site plan showing all signage approx. locations. (Note: Signs C1-C5 are on separate set R6/2/22/PA-1).
R7/10/12/22/PA: Broke out Mockup plan of Letter "M".
R10/10/22/PA: updated a site plan from customer.
R6/11/15/22/PA: Updated site plan and showed 2 optional locations for sign A; finished Mockup targeting photo with approximate sign placement; photo survey studies; Removed sign B from package temporarily.
R6/11/12/22/PA: Updated photo / renderings at sheets 5 & 7.;
R1/22/22/PA: Deleted page 8.
R1/28/22/PA: Corrected Option 1 sign location on Option-1 Photo-rendering Exhibits 1 & 2.
R10/11/22/22/PA: Revised sign structure height by eliminating a 7' frame section and also reducing the lower platform accordingly. (1/24/22/PA: Added a square footage study showing each letter height x width and percentage of sign that is actual letter portion of sign.)
R11/12/07/22/PA: Kept Option 1 placement, deleted option 2; Changed The Faux Neon at "MAYFAIR" to be FCSB Faux Neon.
R12/2/20/24/PA: Removed Sign Square footage calculations showing "Live Area"



02 03

CONNECTION DETAILS AT GROUND LEVEL

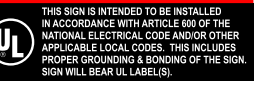
SCALE: 3/4" = 1' - 0"

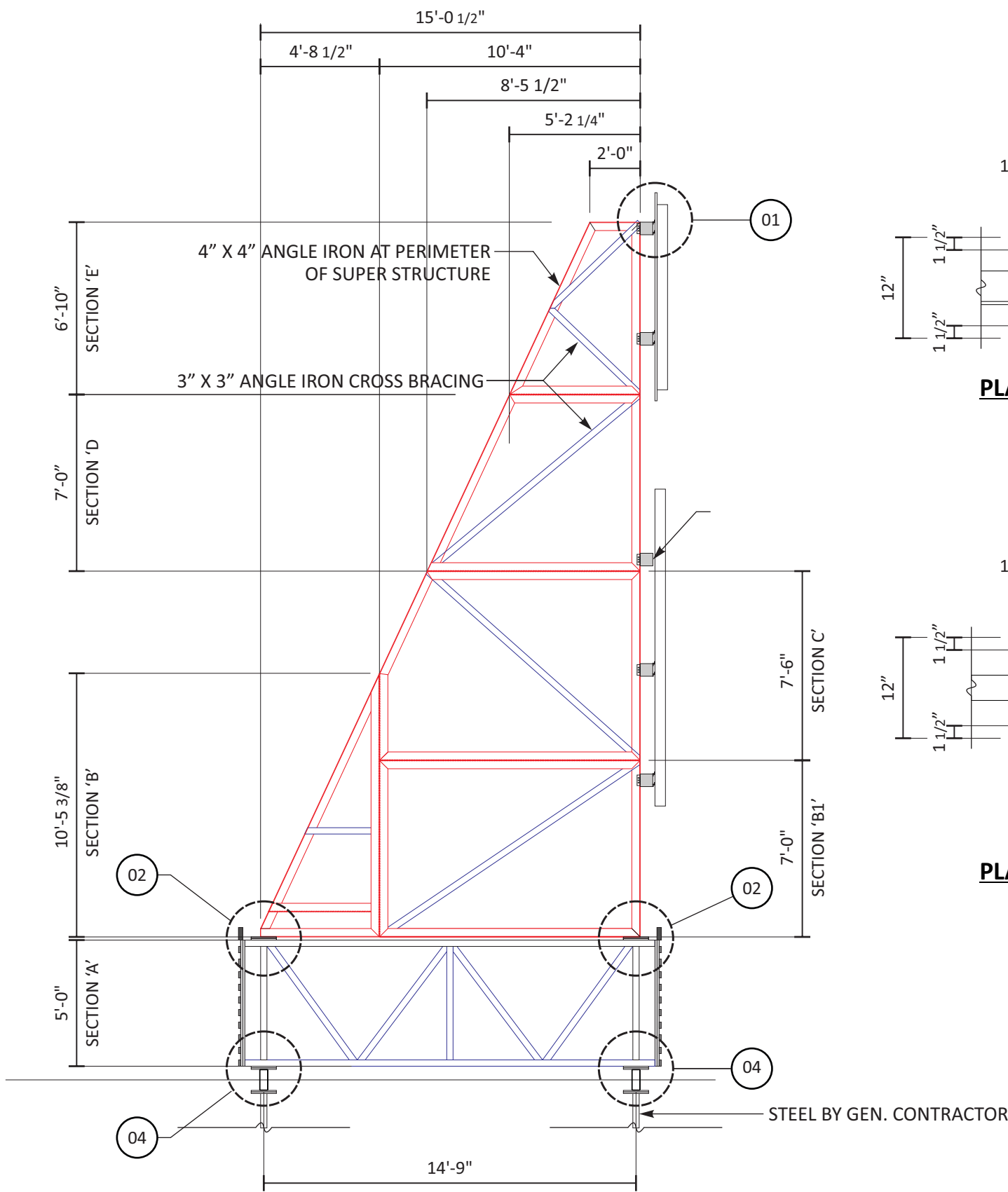


<b>National Headquarters</b>	14201 Sovereign Road #101 Fort Worth, TX 76155 (214) 902-2000 Fax (214) 902-2044
<b>San Antonio</b>	17319 San Pedro Avenue Suite 200 San Antonio, TX 78232 (210) 349-3804 Fax (210) 349-8724
<b>Northeast US</b>	2301 River Road, Suite 201 Louisville, KY 40206 (502) 897-9800 Cell (502) 554-2575
<b>Georgia</b>	111 Woodstone Place Dawsonville, GA 30534 (678) 725-8852 Fax (210) 349-8724
<b>South Texas</b>	PO BOX 125 206 Doral Drive Portland, TX 78374 (361) 563-5399 Fax (361) 643-6533

This drawing is the property of Chandler Signs, LLC. All rights to its use for reproduction are reserved by Chandler Signs, LLC.

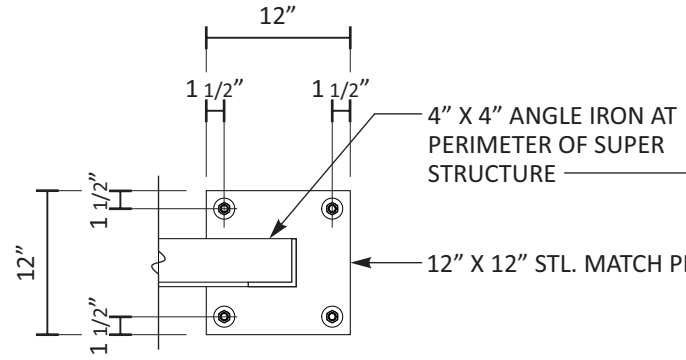
**FINAL ELECTRICAL CONNECTION BY CUSTOMER**



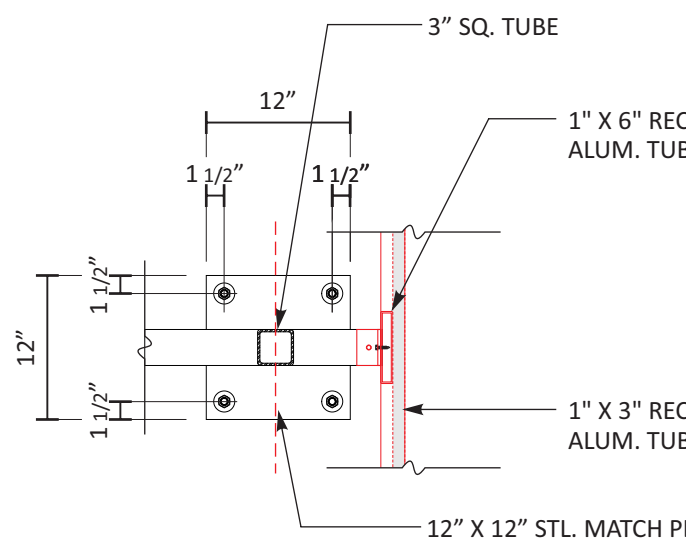


**SECTION DETAIL AT ROOF LEVEL**

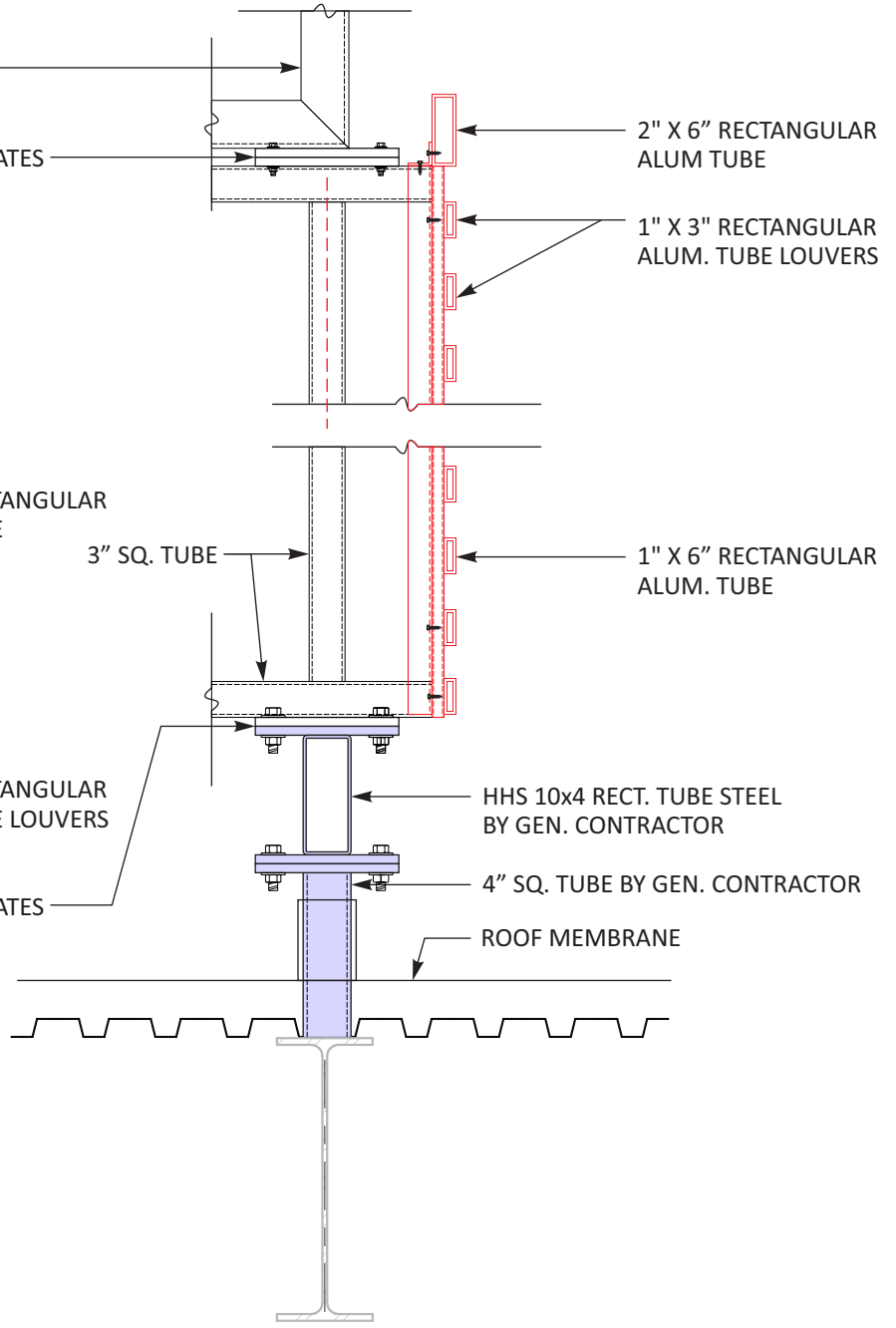
SCALE: 3/16" = 1' - 0"



**PLAN VIEW**



**PLAN VIEW**



**CONNECTION DETAILS AT ROOF**

SCALE: 3/4" = 1' - 0"

<b>Design #</b>	
0633408Ar12	
<b>Sheet 10 of 13</b>	
<b>Client</b>	
MAYFAIR	
<b>Address</b>	
Ih35 between Watson Ln., New Braunfels, TX	
<b>Account Rep.</b>	STAN MACRUM MELANIE DeLEON
<b>Designer</b>	TQ
<b>Date</b>	8/15/22
<b>Approval / Date</b>	
<b>Client</b>	
<b>Sales</b>	
<b>Estimating</b>	
<b>Art</b>	
<b>Engineering</b>	
<b>Landlord</b>	
<b>Revision/Date</b>	

R1/08-18-22/BR: add SIB Eng. calls to design.  
 R2/09-07-22/PA: Added more info, details per phone conference with D.M.  
 R3/23-02-22/PA: Revised Letter Signs on frame structure with 2 Options - Option 1 - 5" deep open channel letters, redesigned with 3 rows of Contour LEDs; Option 2 - FOC Alum. with 2" alum. angle perimeter at back for apply, external lighting by customer. Water Tower. Calculated & added center steel support & Pier. recalculated all piers as 48" dia. x 11' high.  
 R3/12/22/PA: Revised "M" Logo to read "MAYFAIR" 72" dia around tower with 2 circles of Contour LEDs.  
 R4/31/22/PA: Revised "M" Water Tower to have 2 Options: Opt 1 - 36" Base Center Pipe Support x 5' dia x 20' deep Pier with (6) 1" x 4" sq. steel supports; Opt 2 - 36" Base Center Pipe Support x 5' dia x 20' deep Pier with (4) 1" x 10" sq. steel supports. Showed artist's graphic at both options.  
 R5/18/22/PA: Removed Opt. 1 & 2 from rendering on pg. 16; B - Opt. 1: Changed all letters to red, not multi-colored; B Opt. 2: Removed Metal Graphic, changed all letters to red, not multi-colored.  
 R6/22/22/PA: Removed Option 2 - Non-H letters for sign "A"; Reduced "A" letter signage 25%, keeping same height framework, reducing number of support piers from 18 to 14; adjusted rendering on page 1 showing correct number rows of contour led tubing; updated site plan showing all signage approx. locations. (Note: Signs C1-C5 are on separate set R6/22/24/1).  
 R7/10/22/PA: Broke out Mockup plan of Letter "M".  
 R8/11/22/PA: Updated site plan and showed 2 optional locations for sign A; included Mockup targeting photos with approximate sign placement; photo banner studies; Removed sign B from package temporarily.  
 R9/12/22/PA: Updated photo / renderings at sheets 5 & 7; 1/22/22/PA: Deleted page 8.  
 R10/26/22/PA: Corrected Option 1 sign location on Option-1 Photo-rendering Exhibits 1 & 2.  
 R11/10/22/PA: Revised sign structure height by eliminating a 7' frame section and also reducing the lower platform accordingly; 1/24/23/PA: Added a square footage study showing each letter height x width and percentage of sign that is actual letter portion of sign.  
 R11/20/22/PA: Kept Option 1 placement, detailed option 2; Changed The Four Neons at MAYFAIR to be FCB Four Neon.  
 R12/20/24/PA: Removed Sign Square footage calculations showing "Live Area"

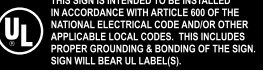


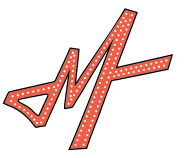
<b>National Headquarters</b>	14201 Sovereign Road #101 Fort Worth, TX 76155 (214) 902-2000 Fax (214) 902-2044
<b>San Antonio</b>	17319 San Pedro Avenue Suite 200 San Antonio, TX 78232 (210) 349-3804 Fax (210) 349-8724
<b>Northeast US</b>	2301 River Road, Suite 201 Louisville, KY 40206 (502) 897-9800 Cell (502) 554-2575
<b>Georgia</b>	111 Woodstone Place Dawsonville, GA 30534 (678) 725-8852 Fax (210) 349-8724
<b>South Texas</b>	PO BOX 125 206 Doral Drive Portland, TX 78374 (863) 563-5399 Fax (863) 643-6533

This drawing is the property of Chandler Signs, LLC. All rights to its use for reproduction are reserved by Chandler Signs, LLC.

**FINAL ELECTRICAL CONNECTION BY CUSTOMER**

THIS SIGN IS INTENDED TO BE INSTALLED IN ACCORDANCE WITH ARTICLE 600 OF THE NATIONAL ELECTRICAL CODE AND/OR OTHER APPLICABLE LOCAL CODES. THIS INCLUDES PROPER GROUNDING & BONDING OF THE SIGN. SIGN WILL BEAR UL LABEL(S).

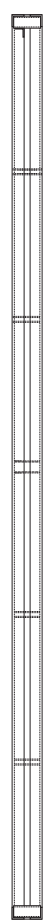




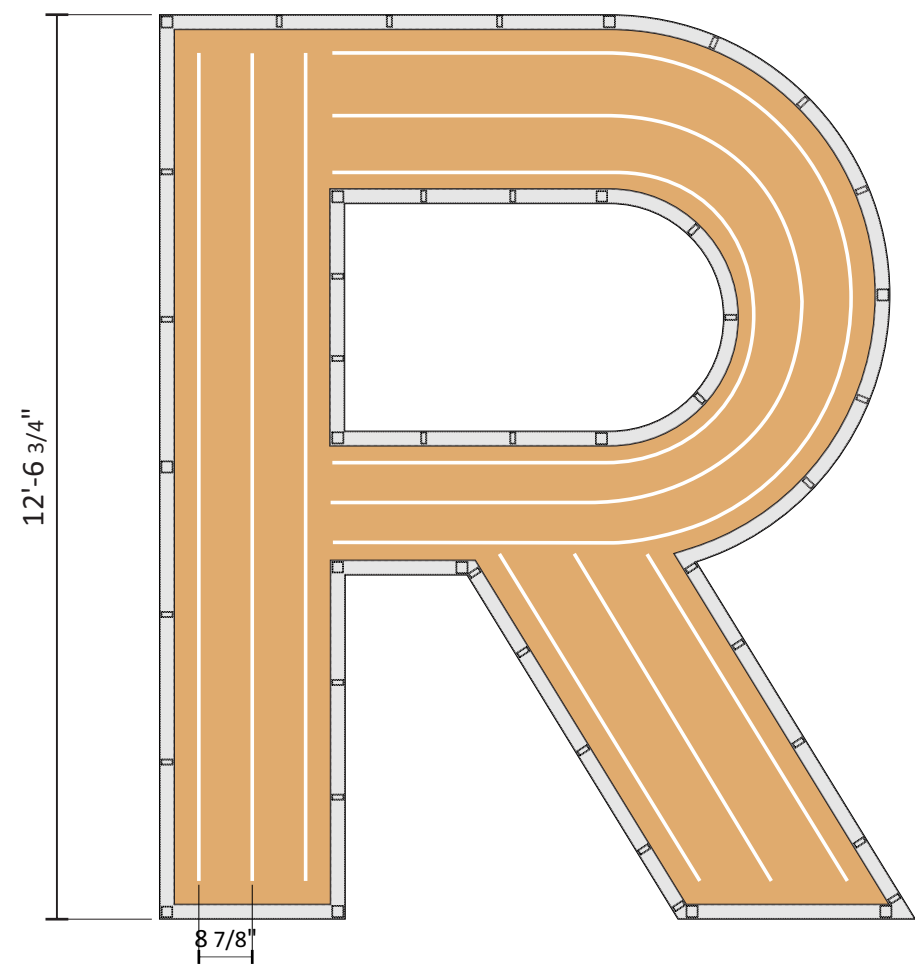
<b>Design #</b>	<b>0633408Ar12</b>
<b>Sheet</b>	<b>11 of 13</b>
<b>Client</b>	<b>MAYFAIR</b>
<b>Address</b>	<b>lh35 between Watson Ln., New Braunfels, TX</b>
<b>Account Rep.</b>	<b>STAN MACRUM MELANIE DeLEON</b>
<b>Designer</b>	<b>TQ</b>
<b>Date</b>	<b>8/15/22</b>
<b>Approval / Date</b>	
<b>Client</b>	
<b>Sales</b>	
<b>Estimating</b>	
<b>Art</b>	
<b>Engineering</b>	
<b>Landlord</b>	
<b>Revision/Date</b>	

R1(08-18-22)BR: add SIB Eng. calls to design.  
 R2(09-07-22)PA: Added more rfg. details per phone conference with D.M.  
 R3(12-29-22)PA: Revised Letter Signs on frame structure with 2 Options - Option 1 - 5" deep open channel letters, redesigned with 3 rows of Contour LEDs; Option 2: FOC Alum. with 2" alum. angle perimeter at back for optics, external lighting by customer. Vasec Tower. Calculated & added center steel support & Pier. recalculated all piers as 48" dia. x 11' deep.  
 R3(12/29)PA: Revised "M" Logo to read "MAYFAIR" 72" ods around tower with 2 strokes of Contour LEDs.  
 R4(11/30/22)PA: Revised "R" Water Tower to have 2 Options: Opt 1 - 36" Base Center Pipe Support x 5 dia. x 20' deep Pier with (4) 6" x 6" sq. steel supports; Opt 2 - 36" Base Center Pipe Support x 5 dia. x 20' deep Pier with (4) 10" x 10" sq. steel supports. Showed artist's graphic at both options.  
 R5(11/22/22)PA: Removed Opt. 1 & 2 from rendering on pg. 16; B - Opt. 1: Changed all letters to red, not multi-colored; B Opt. 2: Removed Metal Graphic, changed all letters to red, not multi-colored.  
 R6(12/22/22)PA: Removed Option 2 - Non-H letters for sign "A"; Reduced "A" letter signage 25%, keeping same height framework, reducing number of support piers from 18 to 14; adjusted rendering on page 1 showing correct number rows of contour led tubing; updated site plan showing all signage approx. locations. (Note: Signs C1-C5 are on separate set R6(20/24)1).  
 R7(10/12/22)PA: Broke out Mockup plan of Letter "M".  
 R1(10/12/22)PA: updated a site plan from customer.  
 R8(11/15/22)PA: Updated site plan and showed 2 optional locations for sign A; included Mockup targeting photos with approximate sign placement; photo survey studies; Removed sign B from package temporarily.  
 R9(11/22/22)PA: Updated photo / renderings at sheets 5 & 7; ;  
 R1(12/22/22)PA: Deleted page 8  
 R1(12/22/22)PA: Corrected Option 1 sign location on Option-1 Photo-rendering Exhibits 1 & 2.  
 R1(11/22/22)PA: Reduced sign structure height by eliminating a 7' frame section and also reducing the lower platform accordingly; R1(12/22/22)PA: Added a square footage study showing each letter height x width and percentage of sign that is actual letter portion of sign.  
 R1(12/07/22)PA: Kept Option 1 placement, deleted option 2; Changed The Faux Neon at "MAYFAIR" to be FCSB Faux Neon.  
 R1(2/20/24)PA: Removed Sign Square footage calculations showing "Live Area"

5"

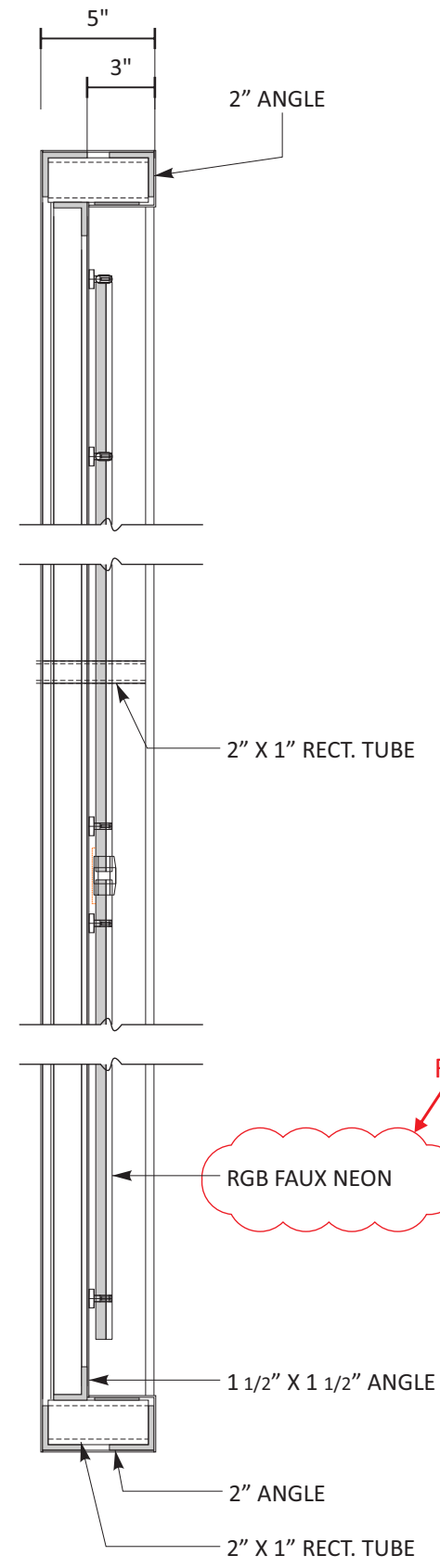


**END VIEW**



**05 OCL - ELEV.**

SCALE: 3/8" = 1' - 0"



**06 SECTION DETAIL**

SCALE: 1 1/2" = 1' - 0"

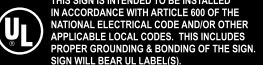


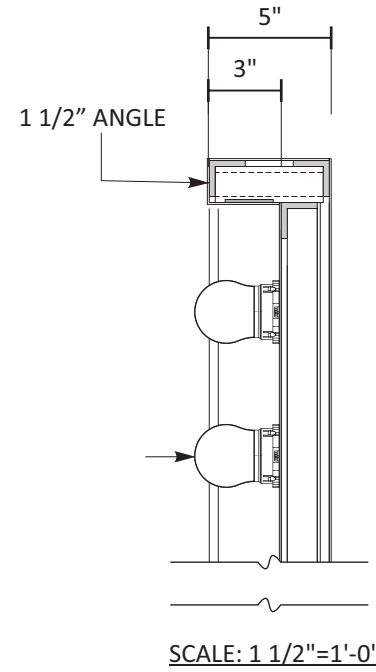
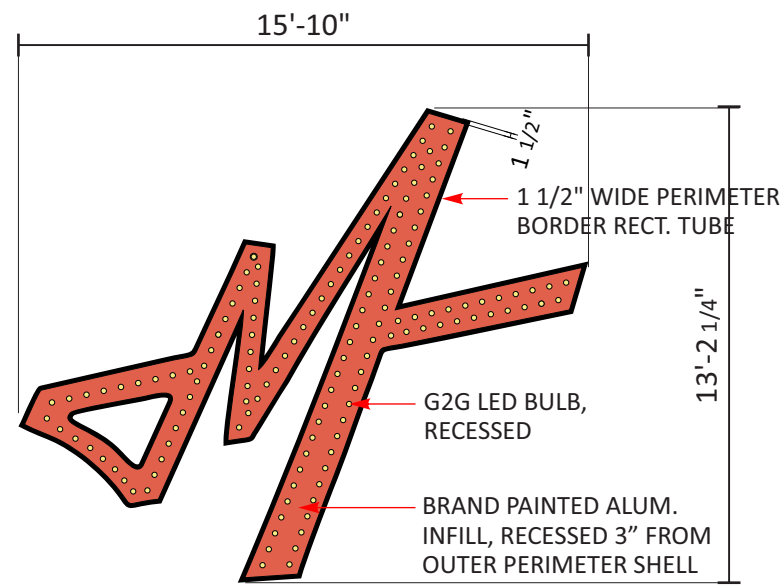
<b>National Headquarters</b>	14201 Sovereign Road #101 Fort Worth, TX 76155 (214) 902-2000 Fax (214) 902-2044
<b>San Antonio</b>	17319 San Pedro Avenue Suite 200 San Antonio, TX 78232 (210) 349-3804 Fax (210) 349-8724
<b>Northeast US</b>	2301 River Road, Suite 201 Louisville, KY 40206 (502) 897-9800 Cell (502) 554-2575
<b>Georgia</b>	111 Woodstone Place Dawsonville, GA 30534 (678) 725-8852 Fax (210) 349-8724
<b>South Texas</b>	PO BOX 125 206 Doral Drive Portland, TX 78374 (863) 563-5399 Fax (361) 643-6533

This drawing is the property of Chandler Signs, LLC. All rights to its use for reproduction are reserved by Chandler Signs, LLC.

**FINAL ELECTRICAL CONNECTION BY CUSTOMER**

THIS SIGN IS INTENDED TO BE INSTALLED IN ACCORDANCE WITH ARTICLE 600 OF THE NATIONAL ELECTRICAL CODE AND/OR OTHER APPLICABLE LOCAL CODES. THIS INCLUDES PROPER GROUNDING & BONDING OF THE SIGN. SIGN WILL BEAR UL LABEL(S).





# G2G Marquee Mod

Featuring SMD5050 RGB high brightness LED's, the unique D50 globe lamp has a look similar to a round decorative light bulb. The polycarbonate globe snaps on to its companion base which contains the LED's. The base can mount into practically any substrate after drilling a 1.2" hole. All wires are concealed behind the substrate.



**IP65**  
E344189

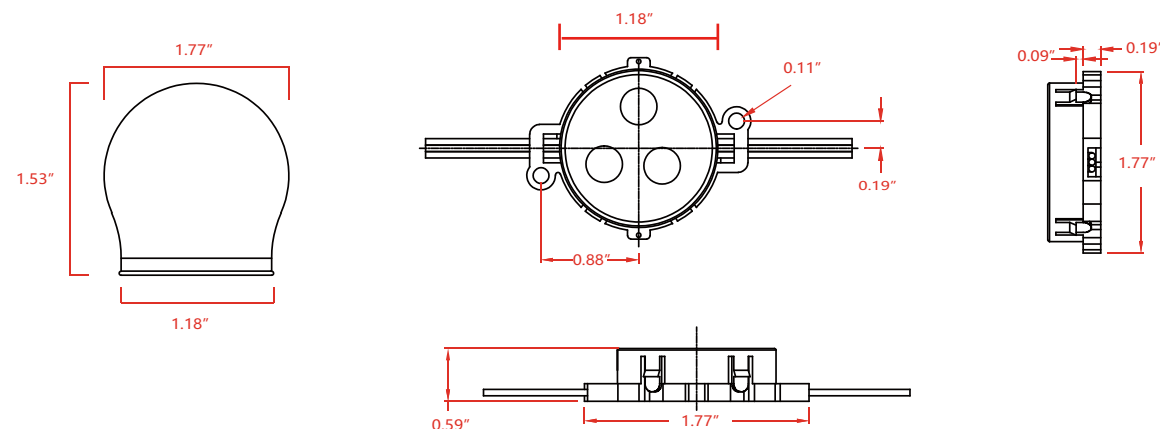
**END VIEW**

07 **OPEN CHANNEL LETTER - ELEV.** SCALE: 3/16" = 1' - 0"

## SPECIFICATIONS

Model	Voltage	Signal	IC Chip	Color Temperature	Power	Aperture size of Luminaire	Applicable Temperature
G2G D50 RGB	12VDC	DMX	UCS512	RGB	0.72W	1.2 in	-20 ° to +60 °
G2G D50 White	12VDC	SPI	WS2801	2700K/5000K	0.72W	1.2 in	-20 ° to +60 °

## LED MODULE DIMENSIONS



## LED MODULE SPECIFICATIONS

Product Diameter	30mm/1.18in
Waterproof Performance	IP65
Product line length	7.8 in
Cover Material	PC
Cover Color	Milky White
Packaging	25pcs/bag, 250pcs/case
Warranty	5 Years

**Design #**  
0633408Ar12

**Sheet** 12 **of** 13

**Client**  
MAYFAIR

**Address**  
lh35 between Watson Ln.,  
New Braunfels, TX

**Account Rep.** STAN MACRUM  
MELANIE DeLEON

**Designer** TQ

**Date** 8/15/22

**Approval / Date**

Client	Date

**Revision/Date**

R1(08-18-22)BR: add SIB Eng. calls to design.  
R2(09-07-22)PK: Added more info, details per phone conference with D.M.  
R3(10-20-22)PK: Revised Letter Signs on frame structure with 2 Options - Option 1 - 5" deep open channel letters, redesigned with 3 rows of Contour LEDs; Option 2 - FOC Alum. with 2" alum. angle perimeter at back for uplight, external lighting by customer. Vase: Tower. Calculated & added center steel support & Pier, recalculated all piers as 48" dia. x 11' high.  
R4(11-12-22)PK: Revised "M" Logo to read "MAYFAIR" 72" dia around tower with 3 circles of Contour LEDs.  
R5(11-22-22)PK: Revised "M" Water Tower to have 2 Options: Opt 1 - 36" Base Center Pipe Support x 5 dia. x 20' deep Pier with (4) 1" x 1" sq. steel supports; Opt 2 - 36" Base Center Pipe Support x 5 dia. x 20' deep Pier with (4) 1" x 1" sq. steel supports. Showed artist's graphic at both options.  
R6(12-02-22)PK: Removed Opt. 1 & 2 from rendering on pg. 16; B - Opt. 1: Changed all letters to red, not multi-colored; B Opt. 2: Removed Metal Graphic, changed all letters to red, not multi-colored.  
R7(12-22-22)PK: Removed Option 2 - Non-H letters for sign "M"; Reduced "M" letter signage 25%, keeping same height framework, reducing number of support piers from 18 to 14; adjusted rendering on page 1 showing correct number rows of contour led tubing; updated site plan showing all signage approx. locations. (Note: Signs C1-C5 are on separate set R6(2024)R1).  
R8(10-12-22)PK: Broke out Mockup plan of Letter "M".  
R9(11-15-22)PK: Updated site plan and showed 2 optional locations for sign A; finished Mockup targeting photo with approximate sign placement; photo banner studies; Removed sign B from package temporarily.  
R10(11-22-22)PK: Updated photo / renderings at sheets 5 & 7; ;  
R11(12-02-22)PK: Deleted page 8;  
R12(02-22)PK: Corrected Option 1 sign location on Option-1 Photo-rendering Exhibits 1 & 2.  
R13(11-02-22)PK: Revised sign structure height by eliminating a 7' frame section and also reducing the lower platform accordingly; R14(12-02-22)PK: Added a square footage study showing each letter height x width and percentage of sign that is actual letter portion of sign.  
R15(12-07-22)PK: Kept Option 1 placement, detailed option 2; Changed The Four Neon at "MAYFAIR" to be FCB Four Neon.  
R16(12-20-22)PK: Removed Sign Square footage calculations showing "Live Area"



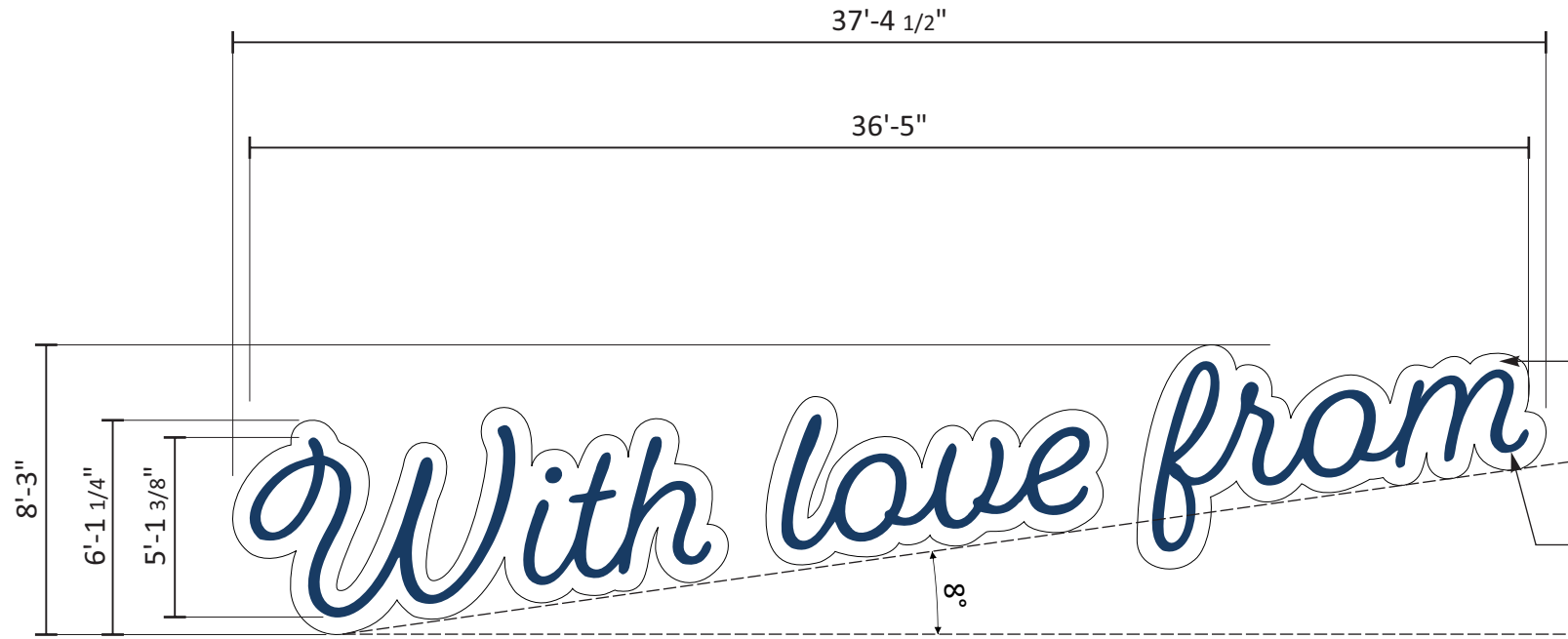
<b>National Headquarters</b>	14201 Sovereign Road #101 Fort Worth, TX 76155 (214) 902-2000 Fax (214) 902-2044
<b>San Antonio</b>	17319 San Pedro Avenue Suite 200 San Antonio, TX 78232 (210) 349-3804 Fax (210) 349-8724
<b>Northeast US</b>	2301 River Road, Suite 201 Louisville, KY 40206 (502) 897-9800 Cell (502) 554-2575
<b>Georgia</b>	111 Woodstone Place Dawsonville, GA 30534 (678) 725-8852 Fax (210) 349-8724
<b>South Texas</b>	PO BOX 125 206 Doral Drive Portland, TX 78374 (863) 563-5399 Fax (863) 643-6533

This drawing is the property of Chandler Signs, LLC  
All rights to its use for reproduction are reserved by Chandler Signs, LLC

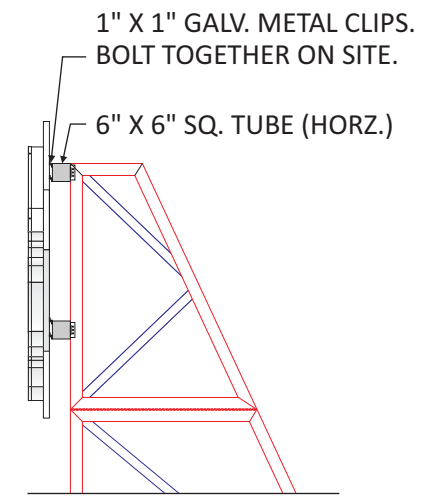
**FINAL ELECTRICAL CONNECTION BY CUSTOMER**

THIS SIGN IS INTENDED TO BE INSTALLED IN ACCORDANCE WITH ARTICLE 600 OF THE NATIONAL ELECTRICAL CODE AND/OR OTHER APPLICABLE LOCAL CODES. THIS INCLUDES PROPER GROUNDING & BONDING OF THE SIGN. SIGN WILL BEAR UL LABEL(S).





- CLOUD BACKGROUND: ALUM. NESTED PAN-PANEL WITH 2" RETURNS
- 5" CHANNEL LETTERS PAINTED BLUE
  - WHITE FACES WITH 3M VINYL APPLIED 1st SURFACE AND 3/4" WHITE PERIMETER SHOW-THRU BORDER.
  - 1" TRIM CAPS TO MATCH RETURNS
  - WHITE LED ILLUM.



08 **PLEX FACED CHANNEL LETTER ON BKG'D - ELEV.** SCALE: 3/16" = 1' - 0"

<b>Design #</b>	<b>0633408Ar12</b>
<b>Sheet</b>	<b>13 of 13</b>
<b>Client</b>	<b>MAYFAIR</b>
<b>Address</b>	<b>lh35 between Watson Ln., New Braunfels, TX</b>
<b>Account Rep.</b>	<b>STAN MACRUM MELANIE DeLEON</b>
<b>Designer</b>	<b>TQ</b>
<b>Date</b>	<b>8/15/22</b>
<b>Approval / Date</b>	
<b>Client</b>	
<b>Sales</b>	
<b>Estimating</b>	
<b>Art</b>	
<b>Engineering</b>	
<b>Landlord</b>	
<b>Revision/Date</b>	

R1/08-18-22/BR: add SMB Eng. calc's to design.  
 R2/09-07-22/PA: Added more info, details per phone conference with D.M.  
 R3/23-08-22/PA: Revised Letter Signs on frame structure with 2 Options - Option 1 - 5" deep open channel letters, redesigned with 3 rows of Contour LEDs; Option 2: FOC Alum. with 2" alum. angle perimeter at back for optics, external lighting by customer. Vasec Tower. Calculated & added center steel support & Pier, recalculated all piers as 48" dia. x 11' high.  
 R3/12/23/PA: Revised "M" Logo to read "MAYFAIR" 72" odc around tower with 2 circles of Contour LEDs.  
 R4/31/23/PA: Revised "W" Water Tower to have 2 Options: Opt 1 - 36" Base Center Pipe Support x 5 dia. x 20' deep Pier with (4) 6" x 6" sq. steel supports; Opt 2 - 36" Base Center Pipe Support x 5 dia. x 20' deep Pier with (4) 10" x 10" sq. steel supports. Showed artist's graphic at both options.  
 R5/16/23/PA: Removed Opt. 1 & 2 from rendering on pg. 16; B - Opt. 1: Changed all letters to red, not multi-colored; B Opt. 2: Removed Metal Graphic, changed all letters to red, not multi-colored.  
 R6/22/23/PA: Removed Option 2 - Non-H letters for sign "A"; Reduced "A" letter signage 25%, keeping same height framework, reducing number of support piers from 18 to 14, adjusted rendering on page 1 showing correct number rows of contour led tubing, updated site plan showing all signage approx. locations. (Note: Signs C1-C5 are on separate set R6/22/23/PA-1).  
 R7/10/23/PA: Broke out Mockup plan of Letter "M".  
 R10/12/23/PA: updated a site plan from customer.  
 R8/11/23/PA: Updated site plan and showed 2 optional locations for sign A; Included Mockup targeting photos with approximate sign placement; photo survey studies; Removed sign B from package temporarily.  
 R9/12/23/PA: Updated photo / renderings at sheets 5 & 7.;  
 R10/22/23/PA: Detailed page 8.  
 R10/26/23/PA: Corrected Option 1 sign location on Option-1 Photo-rendering Exhibits 1 & 2.  
 R10/11/23/23/PA: Reduced sign structure height by eliminating a 7' frame section and also reducing the lower platform accordingly; R10/AC/PA: Added a square footage study showing each letter height x width and percentage of sign that is actual letter portion of sign.  
 R11/12/23/PA: Kept Option 1 placement, detailed option 2; Changed The Four Neons of "MAYFAIR" to be F55 Four Neon.  
 R12/20/24/PA: Removed Sign Square footage calculations showing "Live Area"



<b>National Headquarters</b>	14201 Sovereign Road #101 Fort Worth, TX 76155 (214) 902-2000 Fax (214) 902-2044
<b>San Antonio</b>	17319 San Pedro Avenue Suite 200 San Antonio, TX 78232 (210) 349-3804 Fax (210) 349-8724
<b>Northeast US</b>	2301 River Road, Suite 201 Louisville, KY 40206 (502) 897-9800 Cell (502) 554-2575
<b>Georgia</b>	111 Woodstone Place Dawsonville, GA 30534 (678) 725-8852 Fax (210) 349-8724
<b>South Texas</b>	PO BOX 125 206 Doral Drive Portland, TX 78374 (361) 563-5599 Fax (361) 643-6533

This drawing is the property of Chandler Signs, LLC  
 All rights to its use for reproduction are reserved by Chandler Signs, LLC

**FINAL ELECTRICAL CONNECTION BY CUSTOMER**

THIS SIGN IS INTENDED TO BE INSTALLED IN ACCORDANCE WITH ARTICLE 600 OF THE NATIONAL ELECTRICAL CODE AND/OR OTHER APPLICABLE LOCAL CODES. THIS INCLUDES PROPER GROUNDING & BONDING OF THE SIGN. SIGN WILL BEAR UL LABEL(S).

