



CUSTOMER TOTALS COPY

QUOTATION #2932936

Date Entered: 8/6/2024

Date Printed: 8/6/2024

Printed By: Kimberly Wood

SOLD TO:

The Home Depot
 Accounts Payable B-12
 2455 Paces Ferry Road NW
 Atlanta, GA 30348
 Phone: 210-490-2803
 Fax: 1-210-490-2836

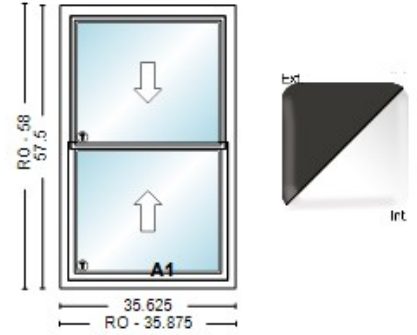
SHIP TO:

THD/SAN ANTONIO-S ANTONIO EAST
 San Antonio Branch
 12837 Wetmore Road
 San Antonio, TX 78247
 Phone: 210-490-2803
 Fax:

PO NUMBER	QUOTE NAME	PROJECT NAME
11303345	LACKEY	Unassigned Project

LineItem #	Qty.	Description
100-1	1	6500 Double Hung 35.625" X 57.5" Operation = Operating, Frame = Replacement, Ext. Color = Bronze (Painted), Int. Color = White, Glass Package = Standard Glass Options, ProSolar Shade Low E, Argon, Supercept, 7/8"IGU, Glass Thickness = 1/8 in - 1/8 out DS, Upper = Tempered, Lower = Tempered, Locks = 2, White, Cam, Air Latches = 2, Sill Extender, Head Expander, Screen Coverage = Full, Fiberglass, Extruded, U-Factor = 0.28, SHGC = 0.2, VT = 0.46, STC = 28, CPD Number = SBP-A-44-57412-00001, Meets Energy Star Zones = South Central, Southern, DP = 50, AAMA,

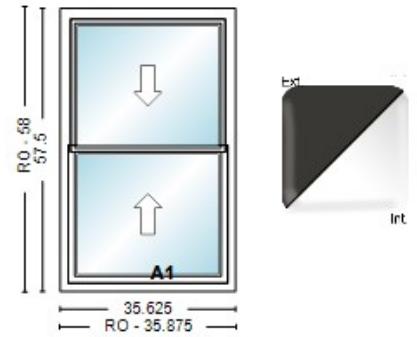
RO:
35.875 x 58
Room ID:
Living Room



Initials: _____

LineItem #	Qty.	Description
200-1	1	6500 Double Hung 35.625" X 57.5" Operation = Operating, Frame = Replacement, Ext. Color = Bronze (Painted), Int. Color = White, Glass Package = Standard Glass Options, ProSolar Shade Low E, Argon, Supercept, 7/8"IGU, Glass Thickness = 1/8 in - 1/8 out DS, Upper = Annealed, Lower = Annealed, Locks = 2, White, Cam, Air Latches = 2, Sill Extender, Head Expander, Screen Coverage = Full, Fiberglass, Extruded, U-Factor = 0.28, SHGC = 0.2, VT = 0.46, STC = 28, CPD Number = SBP-A-44-57412-00001, Meets Energy Star Zones = South Central, Southern, DP = 50, AAMA,

RO:
35.875 x 58
Room ID:
Living Room

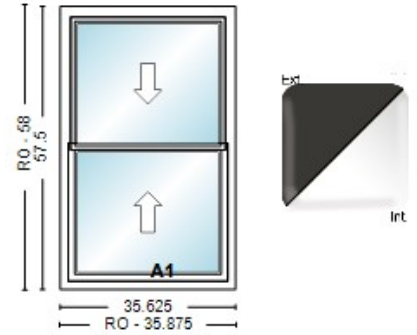


Initials: _____

LineItem #	Qty.	Description
------------	------	-------------

300-1 1 6500 Double Hung 35.625" X 57.5" Operation = Operating, Frame = Replacement, Ext. Color = Bronze (Painted), Int. Color = White, Glass Package = Standard Glass Options, ProSolar Shade Low E, Argon, Supercept, 7/8"IGU, Glass Thickness = 1/8 in - 1/8 out DS, Upper = Annealed, Lower = Annealed, Locks = 2, White, Cam, Air Latches = 2, Sill Extender, Head Expander, Screen Coverage = Full, Fiberglass, Extruded, U-Factor = 0.28, SHGC = 0.2, VT = 0.46, STC = 28, CPD Number = SBP-A-44-57412-00001, Meets Energy Star Zones = South Central, Southern, DP = 50, AAMA,

RO: 35.875 x 58
Room ID: Bedroom

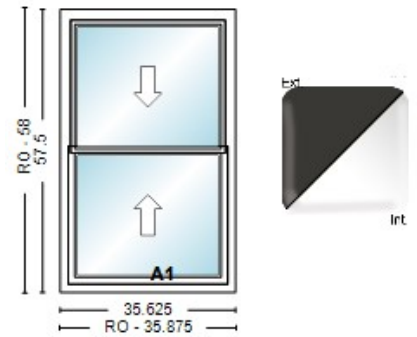


Initials: _____

LineItem #	Qty.	Description
------------	------	-------------

400-1 1 6500 Double Hung 35.625" X 57.5" Operation = Operating, Frame = Replacement, Ext. Color = Bronze (Painted), Int. Color = White, Glass Package = Standard Glass Options, ProSolar Shade Low E, Argon, Supercept, 7/8"IGU, Glass Thickness = 1/8 in - 1/8 out DS, Upper = Annealed, Lower = Annealed, Locks = 2, White, Cam, Air Latches = 2, Sill Extender, Head Expander, Screen Coverage = Full, Fiberglass, Extruded, U-Factor = 0.28, SHGC = 0.2, VT = 0.46, STC = 28, CPD Number = SBP-A-44-57412-00001, Meets Energy Star Zones = South Central, Southern, DP = 50, AAMA,

RO: 35.875 x 58
Room ID: Bedroom



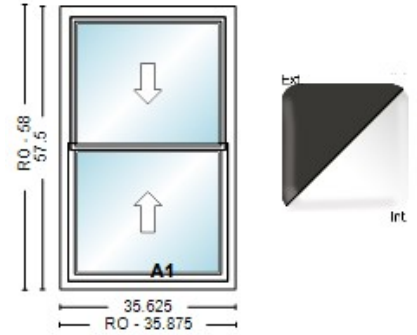
Initials: _____

LineItem #	Qty.	Description
------------	------	-------------

500-1 1 6500 Double Hung 35.625" X 57.5" Operation = Operating, Frame = Replacement, Ext. Color = Bronze (Painted), Int. Color = White, Glass Package = Standard Glass Options, ProSolar Shade Low E, Argon, Supercept, 7/8"IGU, Glass Thickness = 1/8 in - 1/8 out DS, Upper = Annealed, Lower = Annealed, Locks = 2, White, Cam, Air Latches = 2, Sill Extender, Head Expander, Screen Coverage = Full, Fiberglass, Extruded, U-Factor = 0.28, SHGC = 0.2, VT = 0.46, STC = 28, CPD Number = SBP-A-44-57412-00001, Meets Energy Star Zones = South Central, Southern, DP = 50, AAMA,

RO:
35.875 x 58

Room ID:
Bedroom



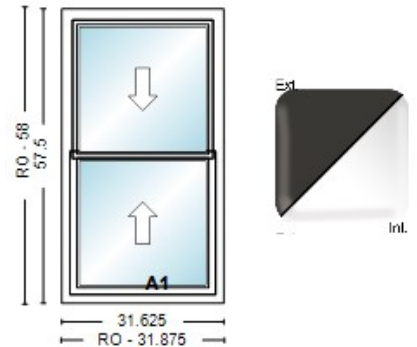
Initials: _____

LineItem #	Qty.	Description
------------	------	-------------

600-1 1 6500 Double Hung 31.625" X 57.5" Operation = Operating, Frame = Replacement, Ext. Color = Bronze (Painted), Int. Color = White, Glass Package = Standard Glass Options, ProSolar Shade Low E, Argon, Supercept, 7/8"IGU, Glass Thickness = 1/8 in - 1/8 out DS, Upper = Annealed, Lower = Annealed, Locks = 2, White, Cam, Air Latches = 2, Sill Extender, Head Expander, Screen Coverage = Full, Fiberglass, Extruded, U-Factor = 0.28, SHGC = 0.2, VT = 0.46, STC = 28, CPD Number = SBP-A-44-57412-00001, Meets Energy Star Zones = South Central, Southern, DP = 50, AAMA,

RO:
31.875 x 58

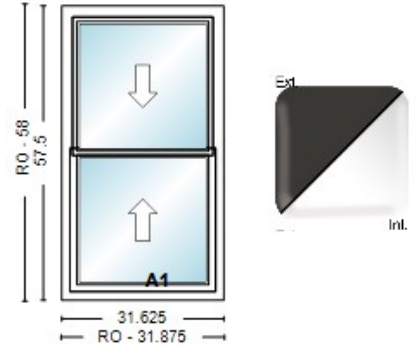
Room ID:
Master Bedroom



Initials: _____

LineItem #	Qty.	Description
700-1	1	6500 Double Hung 31.625" X 57.5" Operation = Operating, Frame = Replacement, Ext. Color = Bronze (Painted), Int. Color = White, Glass Package = Standard Glass Options, ProSolar Shade Low E, Argon, Supercept, 7/8"IGU, Glass Thickness = 1/8 in - 1/8 out DS, Upper = Annealed, Lower = Annealed, Locks = 2, White, Cam, Air Latches = 2, Sill Extender, Head Expander, Screen Coverage = Full, Fiberglass, Extruded, U-Factor = 0.28, SHGC = 0.2, VT = 0.46, STC = 28, CPD Number = SBP-A-44-57412-00001, Meets Energy Star Zones = South Central, Southern, DP = 50, AAMA,

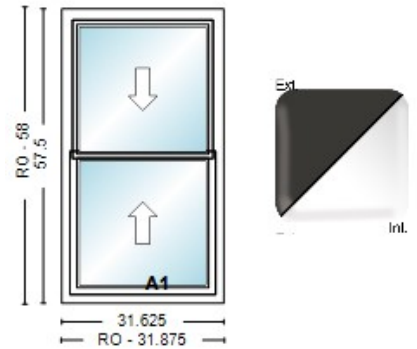
RO: 31.875 x 58
Room ID: Master Bedroom



Initials: _____

LineItem #	Qty.	Description
800-1	1	6500 Double Hung 31.625" X 57.5" Operation = Operating, Frame = Replacement, Ext. Color = Bronze (Painted), Int. Color = White, Glass Package = Standard Glass Options, ProSolar Shade Low E, Argon, Supercept, 7/8"IGU, Glass Thickness = 1/8 in - 1/8 out DS, Upper = Annealed, Lower = Annealed, Locks = 2, White, Cam, Air Latches = 2, Sill Extender, Head Expander, Screen Coverage = Full, Fiberglass, Extruded, U-Factor = 0.28, SHGC = 0.2, VT = 0.46, STC = 28, CPD Number = SBP-A-44-57412-00001, Meets Energy Star Zones = South Central, Southern, DP = 50, AAMA,

RO: 31.875 x 58
Room ID: Master Bedroom



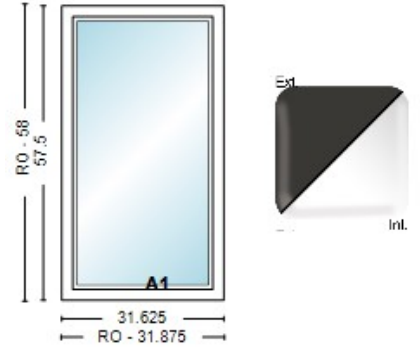
Initials: _____

LineItem #	Qty.	Description
------------	------	-------------

900-1 1 6500 Picture 31.625" X 57.5" Operation = Left / Right, Operation = Fixed, Frame = Replacement, Ext. Color = Bronze (Painted), Int. Color = White, Glass Package = Standard Glass Options, ProSolar Shade Low E, Argon, Supercept, 7/8"IGU, Glass Thickness = 1/8 in - 1/8 out DS, Annealed, Sill Extender, Head Expander, Screen Coverage = None, U-Factor = 0.26, SHGC = 0.21, VT = 0.51, STC = 27, CPD Number = SBP-A-43-28672-00001, Meets Energy Star Zones = South Central, Southern, DP = 55, AAMA,

RO:
31.875 x 58

Room ID:
Master Bedroom



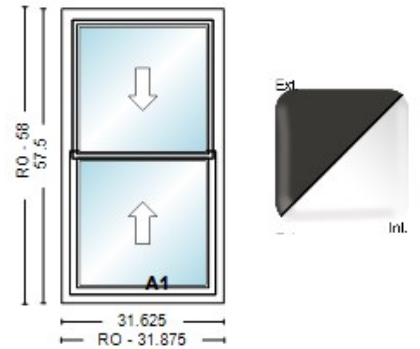
Initials: _____

LineItem #	Qty.	Description
------------	------	-------------

1000-1 1 6500 Double Hung 31.625" X 57.5" Operation = Operating, Frame = Replacement, Ext. Color = Bronze (Painted), Int. Color = White, Glass Package = Standard Glass Options, ProSolar Shade Low E, Argon, Supercept, 7/8"IGU, Glass Thickness = 1/8 in - 1/8 out DS, Upper = Annealed, Lower = Annealed, Locks = 2, White, Cam, Air Latches = 2, Sill Extender, Head Expander, Screen Coverage = Full, Fiberglass, Extruded, U-Factor = 0.28, SHGC = 0.2, VT = 0.46, STC = 28, CPD Number = SBP-A-44-57412-00001, Meets Energy Star Zones = South Central, Southern, DP = 50, AAMA,

RO:
31.875 x 58

Room ID:
Master Bedroom



Initials: _____

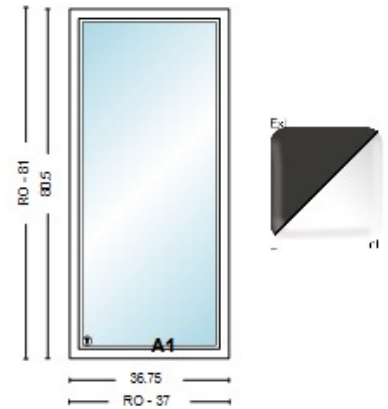
LineItem #	Qty.	Description
1100-1	1	6500 Picture 36.75" X 80.5" Operation = Left / Right, Operation = Fixed, Frame = Replacement, Ext. Color = Bronze (Painted), Int. Color = White, Glass Package = Standard Glass Options, ProSolar Shade Low E, Argon, Super Spacer, 7/8"IGU, Glass Thickness = 3/16 in - 3/16 out 3S, Tempered, Sill Extender, Head Expander, Screen Coverage = None, U-Factor = 0.26, SHGC = 0.22, VT = 0.5, STC = 0, CPD Number = SBP-A-43-26114-00001, Meets Energy Star Zones = South Central, Southern, DP = 45, AAMA,

RO:

37 x 81

Room ID:

Dining



Initials: _____

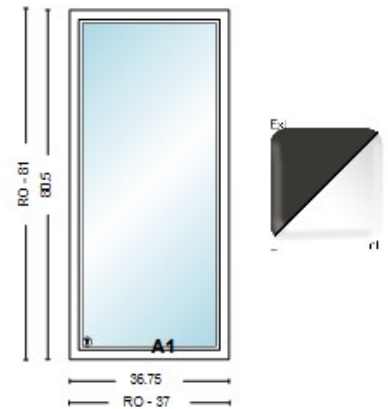
LineItem #	Qty.	Description
1200-1	1	6500 Picture 36.75" X 80.5" Operation = Left / Right, Operation = Fixed, Frame = Replacement, Ext. Color = Bronze (Painted), Int. Color = White, Glass Package = Standard Glass Options, ProSolar Shade Low E, Argon, Super Spacer, 7/8"IGU, Glass Thickness = 3/16 in - 3/16 out 3S, Tempered, Sill Extender, Head Expander, Screen Coverage = None, U-Factor = 0.26, SHGC = 0.22, VT = 0.5, STC = 0, CPD Number = SBP-A-43-26114-00001, Meets Energy Star Zones = South Central, Southern, DP = 45, AAMA,

RO:

37 x 81

Room ID:

Dining



Initials: _____

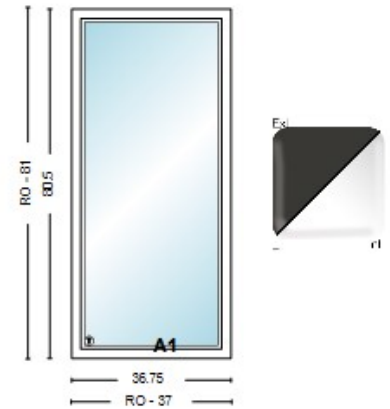
LineItem #	Qty.	Description
1300-1	1	6500 Picture 36.75" X 80.5" Operation = Left / Right, Operation = Fixed, Frame = Replacement, Ext. Color = Bronze (Painted), Int. Color = White, Glass Package = Standard Glass Options, ProSolar Shade Low E, Argon, Super Spacer, 7/8"IGU, Glass Thickness = 3/16 in - 3/16 out 3S, Tempered, Sill Extender, Head Expander, Screen Coverage = None, U-Factor = 0.26, SHGC = 0.22, VT = 0.5, STC = 0, CPD Number = SBP-A-43-26114-00001, Meets Energy Star Zones = South Central, Southern, DP = 45, AAMA,

RO:

37 x 81

Room ID:

Dining



Initials: _____

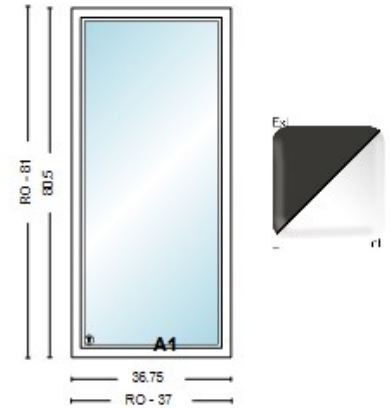
LineItem #	Qty.	Description
1400-1	1	6500 Picture 36.75" X 80.5" Operation = Left / Right, Operation = Fixed, Frame = Replacement, Ext. Color = Bronze (Painted), Int. Color = White, Glass Package = Standard Glass Options, ProSolar Shade Low E, Argon, Super Spacer, 7/8"IGU, Glass Thickness = 3/16 in - 3/16 out 3S, Tempered, Sill Extender, Head Expander, Screen Coverage = None, U-Factor = 0.26, SHGC = 0.22, VT = 0.5, STC = 0, CPD Number = SBP-A-43-26114-00001, Meets Energy Star Zones = South Central, Southern, DP = 45, AAMA,

RO:

37 x 81

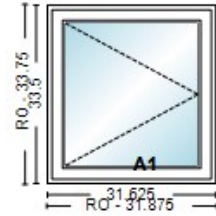
Room ID:

Dining



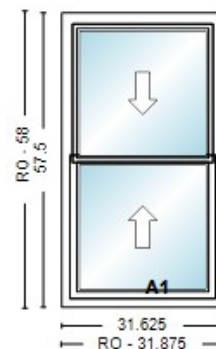
Initials: _____

LineItem #	Qty.	Description
1500-1	1	6500 Casement 31.625" X 33.5" Operation = Left / Right, Operation = Right, Frame = Replacement, Ext. Color = Bronze (Painted), Int. Color = White, Glass Package = Standard Glass Options, ProSolar Shade Low E, Argon, Supercept, 7/8"IGU, Glass Thickness = 1/8 in - 1/8 out DS, Annealed, White, Flush Mount Crank, Coastal Hardware, Sill Extender, Screen Coverage = Full, Fiberglass, Extruded, U-Factor = 0.26, SHGC = 0.17, VT = 0.41, STC = 0, CPD Number = SBP-A-61-25723-00001, Meets Energy Star Zones = South Central, Southern, DP = 55, AAMA,
RO:		
31.875 x 33.75		
Room ID:		
Kitchen		



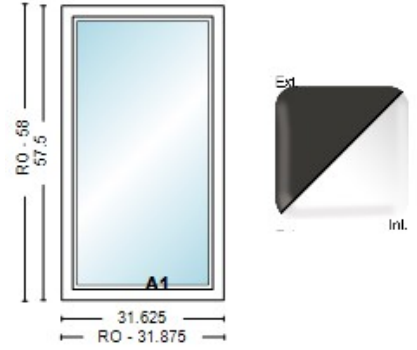
Initials: _____

LineItem #	Qty.	Description
1600-1	1	6500 Double Hung 31.625" X 57.5" Operation = Operating, Frame = Replacement, Ext. Color = Bronze (Painted), Int. Color = White, Glass Package = Standard Glass Options, ProSolar Shade Low E, Argon, Supercept, 7/8"IGU, Glass Thickness = 1/8 in - 1/8 out DS, Upper = Annealed, Lower = Annealed, Locks = 2, White, Cam, Air Latches = 2, Sill Extender, Head Expander, Screen Coverage = Full, Fiberglass, Extruded, U-Factor = 0.28, SHGC = 0.2, VT = 0.46, STC = 28, CPD Number = SBP-A-44-57412-00001, Meets Energy Star Zones = South Central, Southern, DP = 50, AAMA,
RO:		
31.875 x 58		
Room ID:		
Living Room		



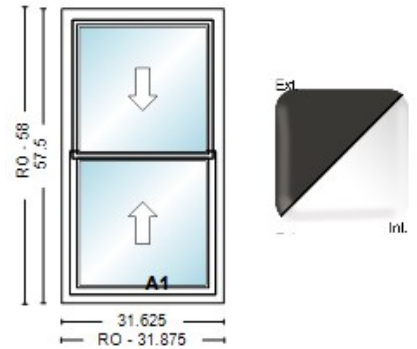
Initials: _____

LineItem #	Qty.	Description
1700-1	1	6500 Picture 31.625" X 57.5" Operation = Left / Right, Operation = Fixed, Frame = Replacement, Ext. Color = Bronze (Painted), Int. Color = White, Glass Package = Standard Glass Options, ProSolar Shade Low E, Argon, Supercept, 7/8"IGU, Glass Thickness = 1/8 in - 1/8 out DS, Annealed, Sill Extender, Head Expander, Screen Coverage = None, U-Factor = 0.26, SHGC = 0.21, VT = 0.51, STC = 27, CPD Number = SBP-A-43-28672-00001, Meets Energy Star Zones = South Central, Southern, DP = 55, AAMA,
RO:		
31.875 x 58		
Room ID:		
Living Room		



Initials: _____

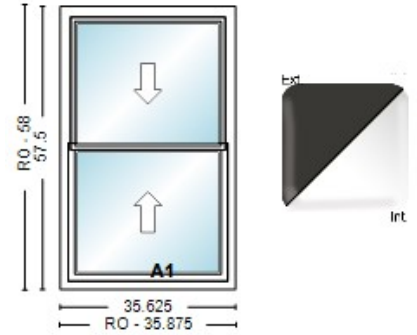
LineItem #	Qty.	Description
1800-1	1	6500 Double Hung 31.625" X 57.5" Operation = Operating, Frame = Replacement, Ext. Color = Bronze (Painted), Int. Color = White, Glass Package = Standard Glass Options, ProSolar Shade Low E, Argon, Supercept, 7/8"IGU, Glass Thickness = 1/8 in - 1/8 out DS, Upper = Annealed, Lower = Annealed, Locks = 2, White, Cam, Air Latches = 2, Sill Extender, Head Expander, Screen Coverage = Full, Fiberglass, Extruded, U-Factor = 0.28, SHGC = 0.2, VT = 0.46, STC = 28, CPD Number = SBP-A-44-57412-00001, Meets Energy Star Zones = South Central, Southern, DP = 50, AAMA,
RO:		
31.875 x 58		
Room ID:		
Living Room		



Initials: _____

LineItem #	Qty.	Description
1900-1	1	6500 Double Hung 35.625" X 57.5" Operation = Operating, Frame = Replacement, Ext. Color = Bronze (Painted), Int. Color = White, Glass Package = Standard Glass Options, ProSolar Shade Low E, Argon, Supercept, 7/8"IGU, Glass Thickness = 1/8 in - 1/8 out DS, Upper = Annealed, Lower = Annealed, Locks = 2, White, Cam, Air Latches = 2, Sill Extender, Head Expander, Screen Coverage = Full, Fiberglass, Extruded, U-Factor = 0.28, SHGC = 0.2, VT = 0.46, STC = 28, CPD Number = SBP-A-44-57412-00001, Meets Energy Star Zones = South Central, Southern, DP = 50, AAMA,

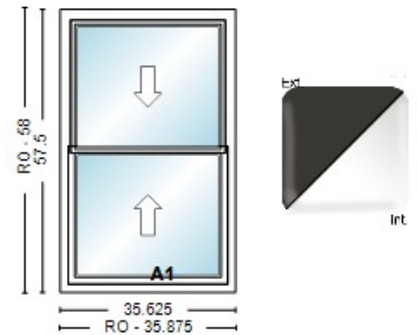
RO: 35.875 x 58
Room ID: Living Room



Initials: _____

LineItem #	Qty.	Description
2000-1	1	6500 Double Hung 35.625" X 57.5" Operation = Operating, Frame = Replacement, Ext. Color = Bronze (Painted), Int. Color = White, Glass Package = Standard Glass Options, ProSolar Shade Low E, Argon, Supercept, 7/8"IGU, Glass Thickness = 1/8 in - 1/8 out DS, Upper = Annealed, Lower = Annealed, Locks = 2, White, Cam, Air Latches = 2, Sill Extender, Head Expander, Screen Coverage = Full, Fiberglass, Extruded, U-Factor = 0.28, SHGC = 0.2, VT = 0.46, STC = 28, CPD Number = SBP-A-44-57412-00001, Meets Energy Star Zones = South Central, Southern, DP = 50, AAMA,

RO: 35.875 x 58
Room ID: Living Room



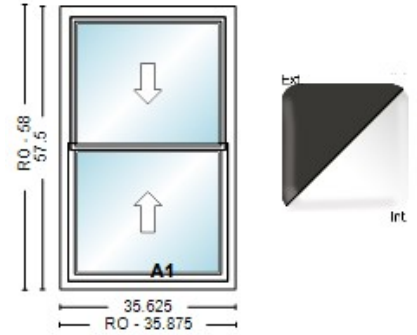
Initials: _____

LineItem #	Qty.	Description
------------	------	-------------

2100-1 1 6500 Double Hung 35.625" X 57.5" Operation = Operating, Frame = Replacement, Ext. Color = Bronze (Painted), Int. Color = White, Glass Package = Standard Glass Options, ProSolar Shade Low E, Argon, Supercept, 7/8"IGU, Glass Thickness = 1/8 in - 1/8 out DS, Upper = Annealed, Lower = Annealed, Locks = 2, White, Cam, Air Latches = 2, Sill Extender, Head Expander, Screen Coverage = Full, Fiberglass, Extruded, U-Factor = 0.28, SHGC = 0.2, VT = 0.46, STC = 28, CPD Number = SBP-A-44-57412-00001, Meets Energy Star Zones = South Central, Southern, DP = 50, AAMA,

RO:
35.875 x 58

Room ID:
Living Room



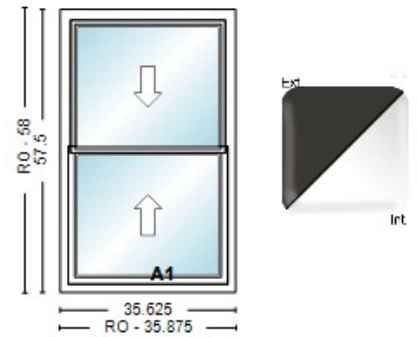
Initials: _____

LineItem #	Qty.	Description
------------	------	-------------

2200-1 1 6500 Double Hung 35.625" X 57.5" Operation = Operating, Frame = Replacement, Ext. Color = Bronze (Painted), Int. Color = White, Glass Package = Standard Glass Options, ProSolar Shade Low E, Argon, Supercept, 7/8"IGU, Glass Thickness = 1/8 in - 1/8 out DS, Upper = Annealed, Lower = Annealed, Locks = 2, White, Cam, Air Latches = 2, Sill Extender, Head Expander, Screen Coverage = Full, Fiberglass, Extruded, U-Factor = 0.28, SHGC = 0.2, VT = 0.46, STC = 28, CPD Number = SBP-A-44-57412-00001, Meets Energy Star Zones = South Central, Southern, DP = 50, AAMA,

RO:
35.875 x 58

Room ID:
Living Room



Initials: _____

PO NUMBER

11303345

QUOTE NAME

LACKEY

PROJECT NAME

Unassigned Project

LineItem #	Qty.	Description
2300-1	22	PB932WP 2" Sill Extender-21' pc(V380)SM10346;Pnt Bz-WH

Initials: _____

LineItem #	Qty.	Description
2400-1	30	EPBCAU6 Silicone Caulk-per tube/PS20300;BZ

Initials: _____

PO NUMBER

11303345

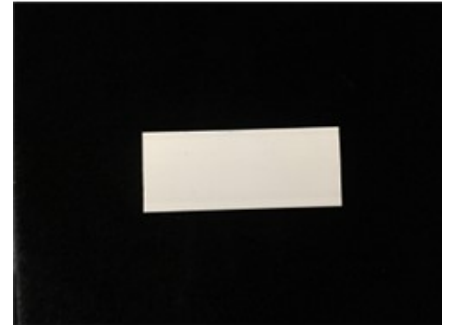
QUOTE NAME

LACKEY

PROJECT NAME

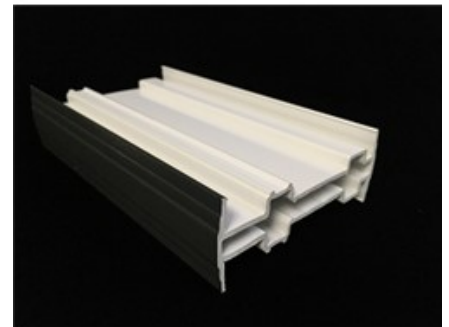
Unassigned Project

LineItem #	Qty.	Description
2500-1	22	V51PWH 1" Adhesive Backed Trim/14' pc(VPI-510)SM40147;WH



Initials: _____

LineItem #	Qty.	Description
2600-1	3	PBV436W H-Mullion-Ft(V436);Pnt Bz-WH Length: 80.5 FOOT



Initials: _____

22 Total Qty Units

SUB-TOTAL:

Comment:

TOTAL TAX:

\$0.00

TOTAL LABOR:

\$0.00

TOTAL FREIGHT:

\$0.00

DIST/DLR DISC:

\$0.00

TOTAL:

DEPOSIT PAID:

(\$0.00)

AMOUNT DUE:

Submitted by: _____ Accepted by: _____ Date _____

Job # 11303345
Melissa Lackey
456 Magazine Ave
New Braunfels, TX 78130

